

PRODUCED BY



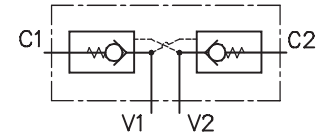
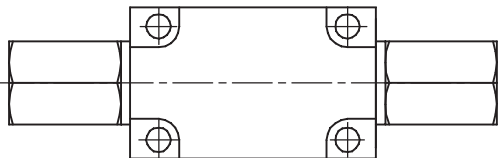
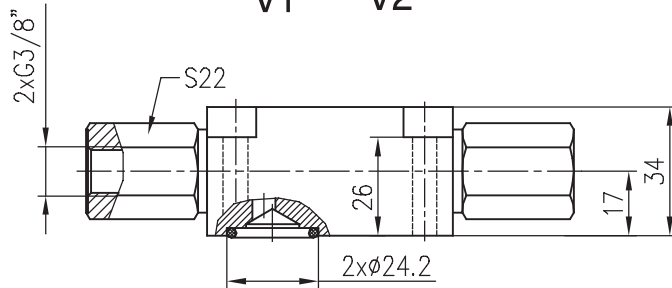
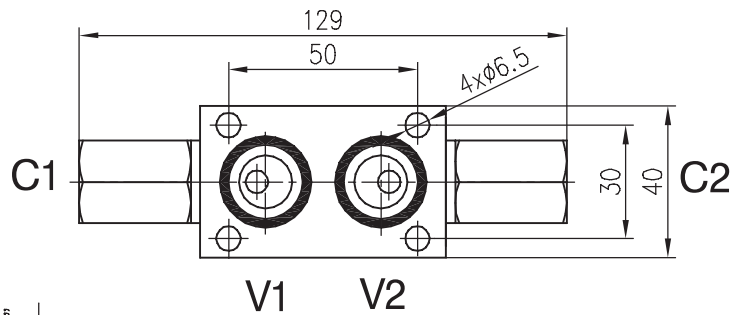
**Hidro  
Pnevmo  
Tehnika**

DISTRIBUTED BY



## DUAL PILOT OPERATED CHECK VALVE

### VBD-R-38



TECHNICAL DATA		
Maximal pressure	bar	350
Nominal flow rate	L/min	35
Pilot ratio		4:1

All performances and calibration are carried out by using hydraulic oil with viscosity approx. 46 cSt at 50 °C  
 Temperature range: -20 °C...+80 °C.  
 Filtration absolute: 25µm