

PRODUCED BY



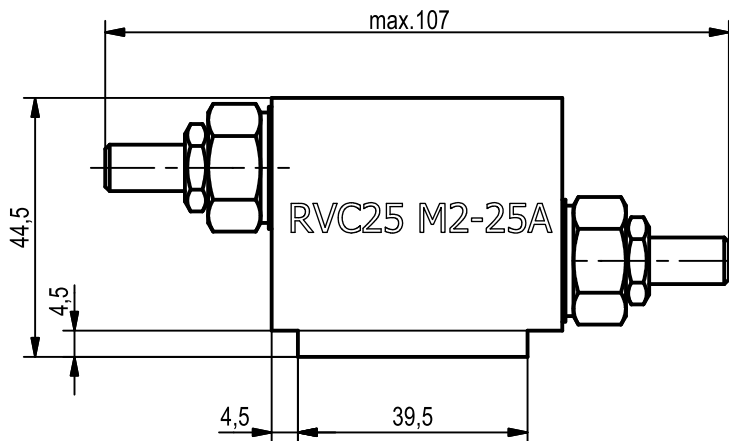
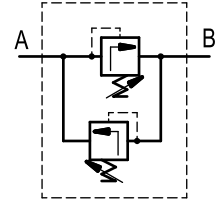
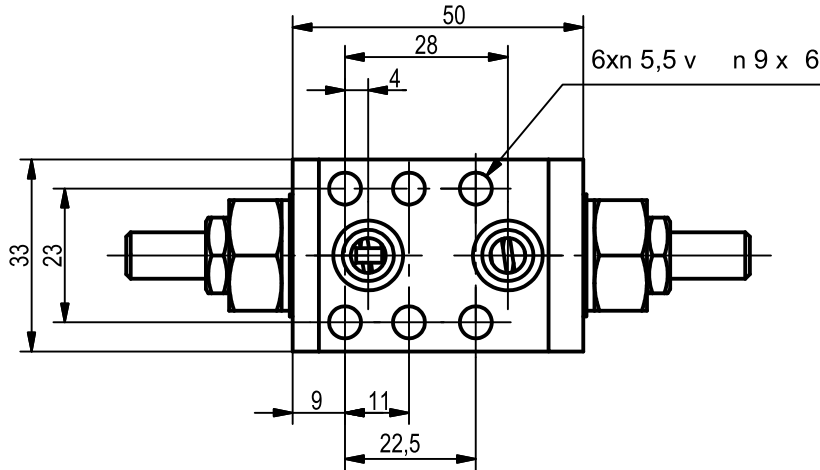
**Hidro  
Pnevmotekhnika**


DISTRIBUTED BY



## RELIEF VALVES

### RVC25 M2-25A



| Code | Adjustments  |
|------|--|
| A    | Leakproof hex socket screw  |

All performances and calibration are carried out by using hydraulic oil with viscosity approx 46 cSt at 50 °C  
Temperature range -20...+80 °C  
Filtration absolute 25  $\mu$ m

| Type         | $P_{max.}$ | $Q_{nom.}$ | Standard settings |
|--------------|------------|------------|-------------------|
|              | bar        | L/min      | bar(Q=20 l/min.)  |
| RVC25 M2-25A | 250        | 20         | 200               |

## ORDERING CODE

### RVC25 M2 - 25 A

