

PRODUCED BY



**Hidro
Pnevmotekhnika**

DISTRIBUTED BY



SINGLE OVERCENTER VALVE WITH EXTERNAL PILOT- NIPPLE SCREW FLANGEABLE

OWC/SE-38/..M

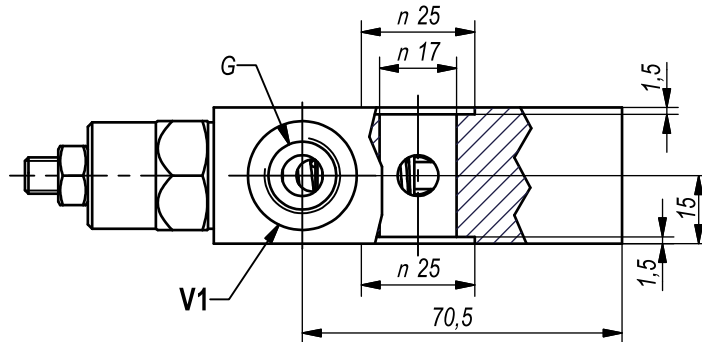
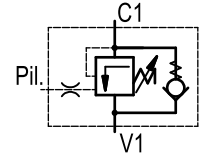
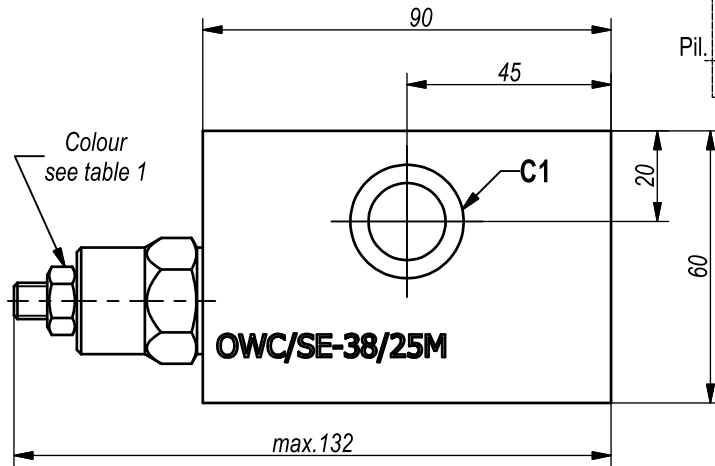
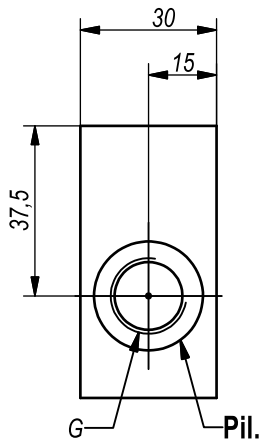


Table 1

Pressure range				
Code	Standard setting bar (Q=5L/min)	Adj. pressure range bar	Pilot ratio	Colour
25	100	60...250	4,26:1	White
35	250	100...350	4,26:1	Yellow

Table 2

Type	Q nom.	G	Body material
	L/min.		
OWC/SE-38/25M	35	G3/8"-DIN 3852	Aluminium
OWC/SE-38/35M	35	G3/8"-DIN 3852	Cast iron

All performances and calibration are carried out by using hydraulic oil with viscosity approx. 46 cSt at 50°C.

Working fluid - mineral oil with:
 - viscosity - 10...100 cSt;
 - temperature - -20...+80°C;
 - filtration level - 25 µm.

ORDERING CODE

OWC/SE - 38/25 M

