

PRODUCED BY



DISTRIBUTED BY



IN-LINE SINGLE OVERCENTER VALVE

OWC/SE- 34/.. .

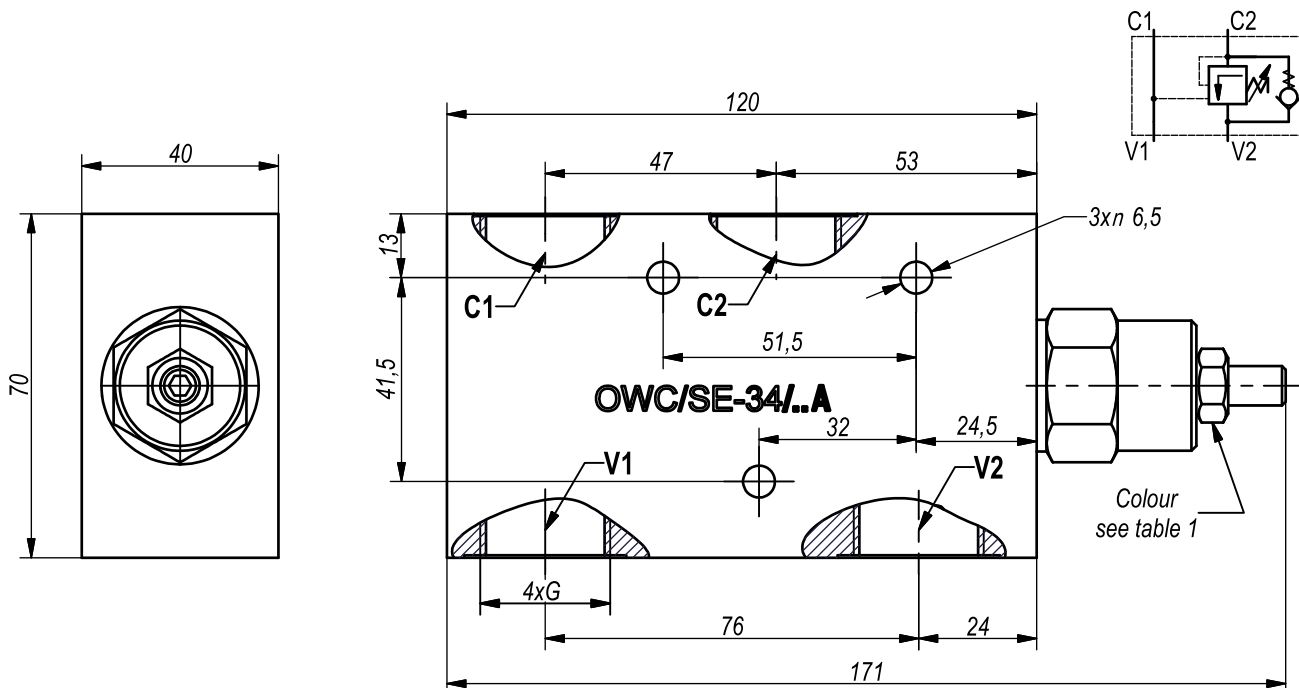
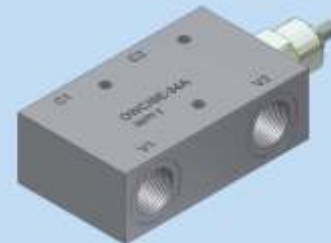


Table 1

| Pressure range | | | | |
|----------------|---------------------------------|-------------------------|-------------|--------|
| Code | Standard setting bar (Q=5L/min) | Adj. pressure range bar | Pilot ratio | Colour |
| 25 | 100 | 60...250 | 4,26:1 | White |
| 35 | 250 | 100...350 | 4,26:1 | Yellow |

Table 2

| Type | Q _{nom.} | G | Body material |
|----------------|-------------------|----------------|---------------|
| | L/min. | - | - |
| OWC/SE-34/25A | 100 | G3/4"-DIN 3852 | Aluminum |
| OWC/SE-34/25LA | 100 | G3/4"-DIN 3852 | Brass |
| OWC/SE-34/35A | 100 | G3/4"-DIN 3852 | Cast iron |

All performances and calibration are carried out by using hydraulic oil with viscosity approx. 46 cSt at 50°C.

Working fluid - mineral oil with:
 - viscosity - 10...100 cSt;
 - temperature - -20...+80°C;
 - filtration level - 25 μm.

ORDERING CODE

OWC/SE - 34 / 25 L

