

PRODUCED BY



**Hidro
Pnevmo
Tehnika**

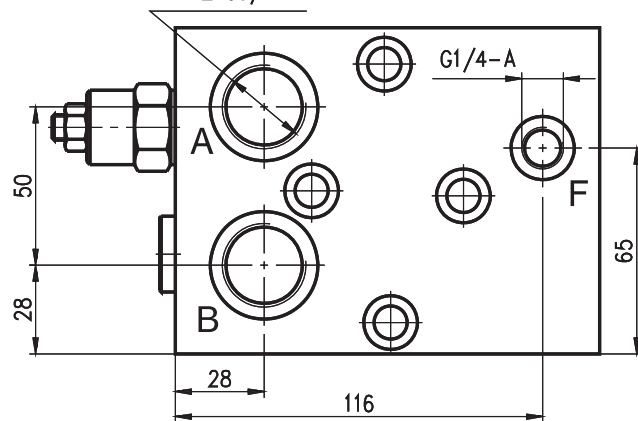
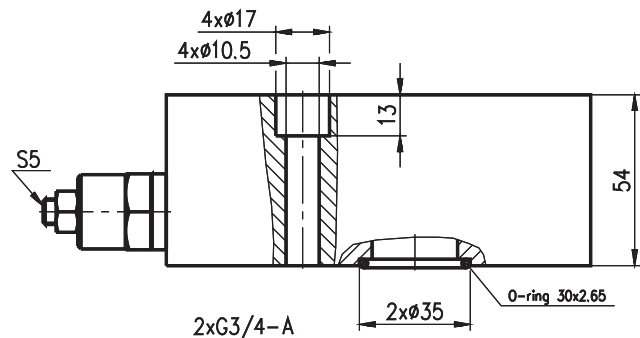
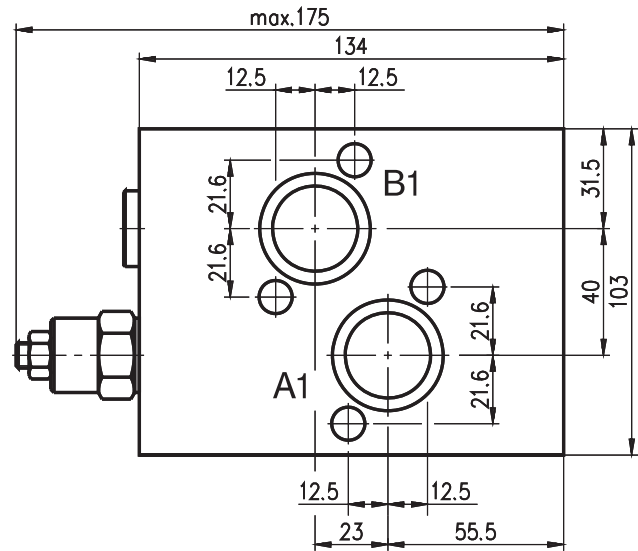
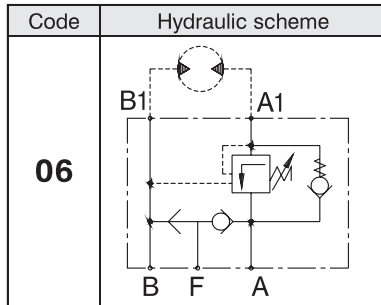
HYDRAULIC MOTOR BLOCKS TYPE BV



DISTRIBUTED BY



BVT 34 06



TECHNICAL DATA		
Max. pressure	bar	250
Nominal flow rate	L/min	100
Pressure ratio		4,25:1
Variation ratio	bar	60...280

ORDERING CODE

BVT 3406

Type