

PRODUCED BY



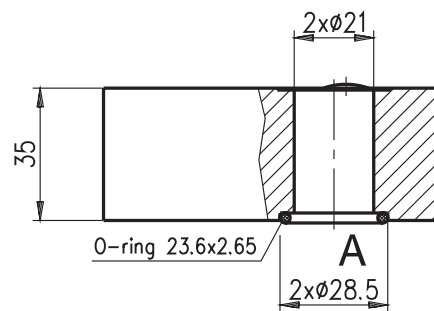
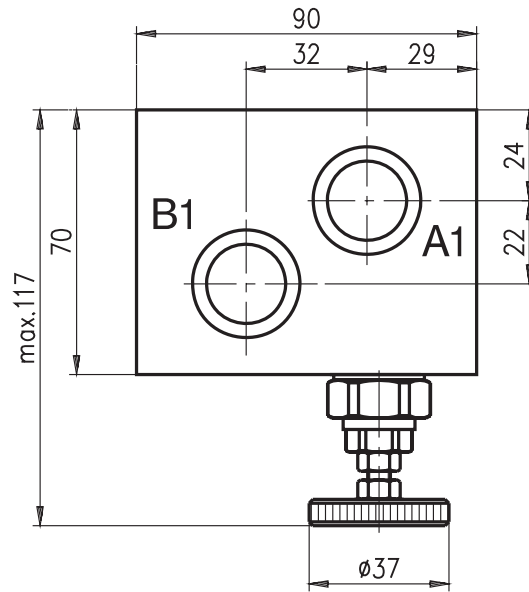
DISTRIBUTED BY



HYDRAULIC MOTOR BLOCKS TYPE BV

BVSH ..

Code	Hydraulic scheme
01	
02	



TECHNICAL DATA		
Nominal pressure	bar	210
Nominal flow rate for type 38	L/min	50

ORDERING CODE

