

PRODUCED BY



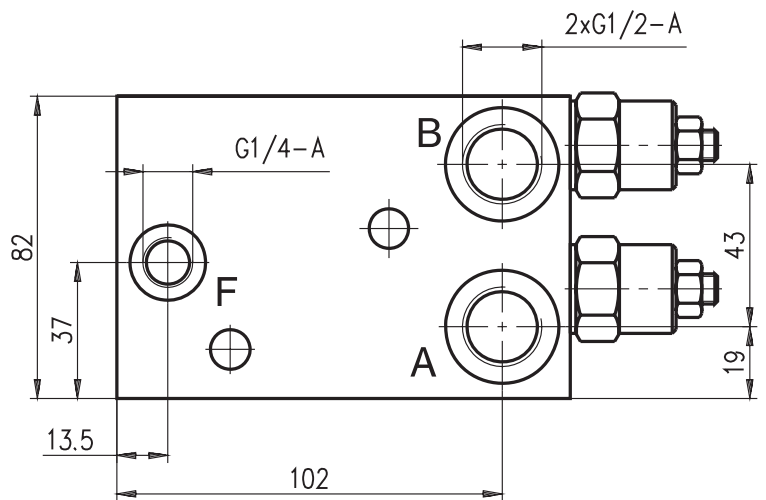
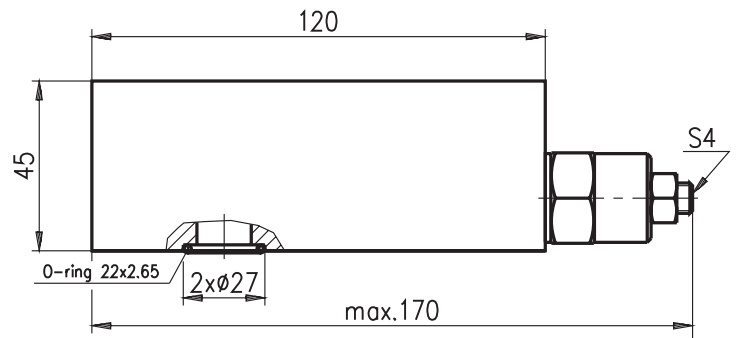
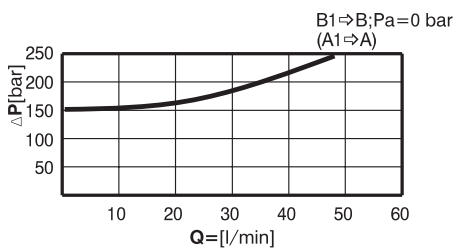
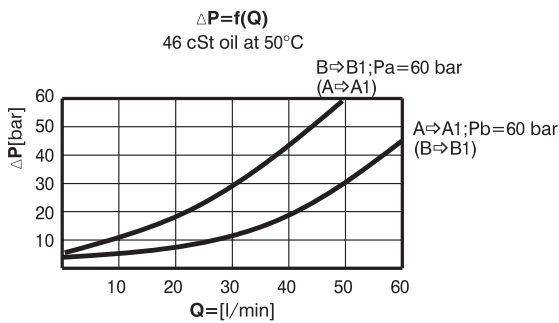
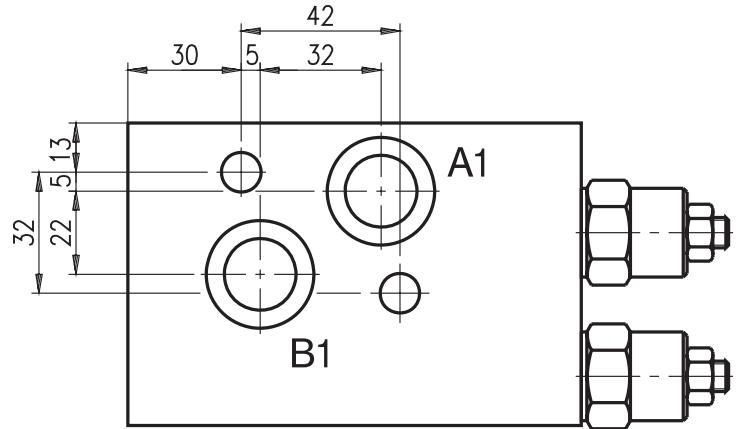
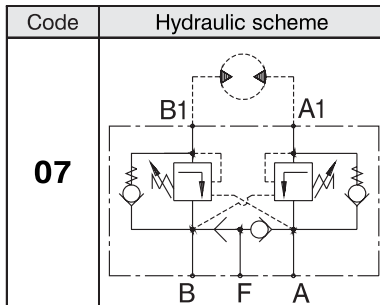
HYDRAULIC MOTOR BLOCKS TYPE BV



DISTRIBUTED BY



BVS 12 07



TECHNICAL DATA		
Max. pressure	bar	250
Nominal flow rate	L/min	60
Pressure ratio		4,25:1
Variation ratio	bar	60...280

ORDERING CODE

BVS 1207

Type