

PRODUCED BY



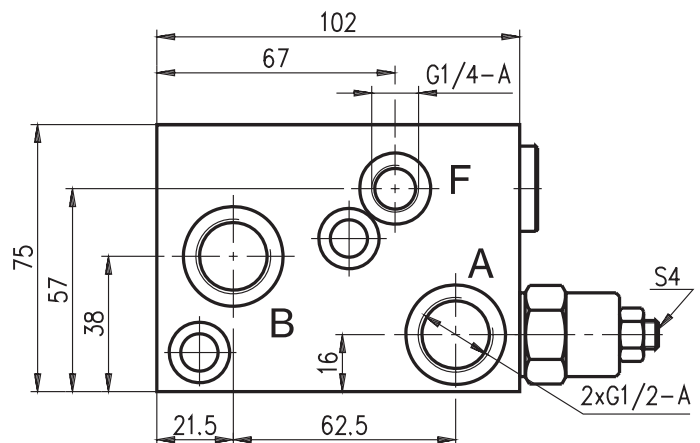
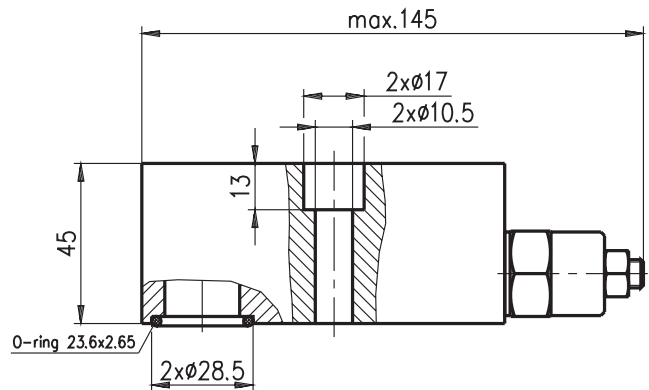
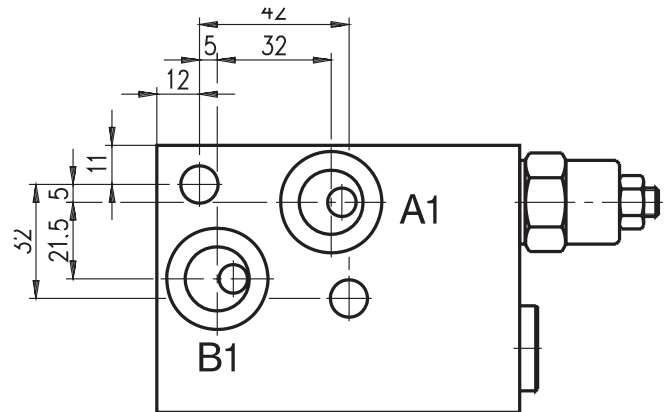
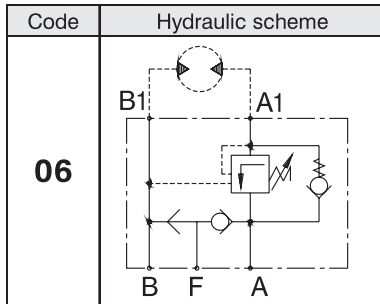
**Hidro  
Pnevmotekhnika**

DISTRIBUTED BY



# HYDRAULIC MOTOR BLOCKS TYPE BV

## BVS 12 06



TECHNICAL DATA		
Max. pressure	bar	250
Nominal flow rate	L/min	60
Pressure ratio		4,25:1
Variation ratio	bar	60...280

**ORDERING CODE**

**BVS 1206**

Type