

PRODUCED BY

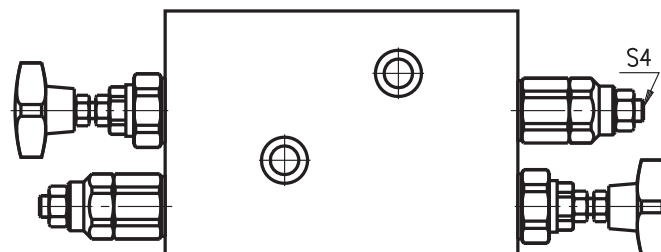
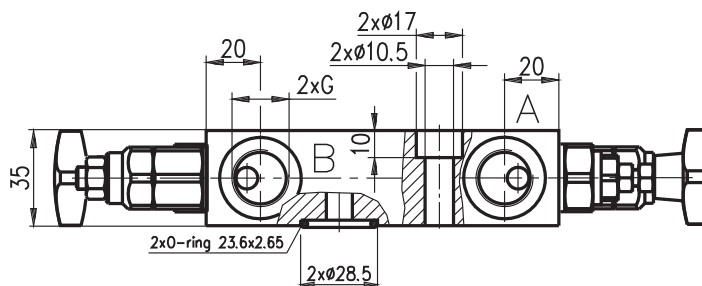
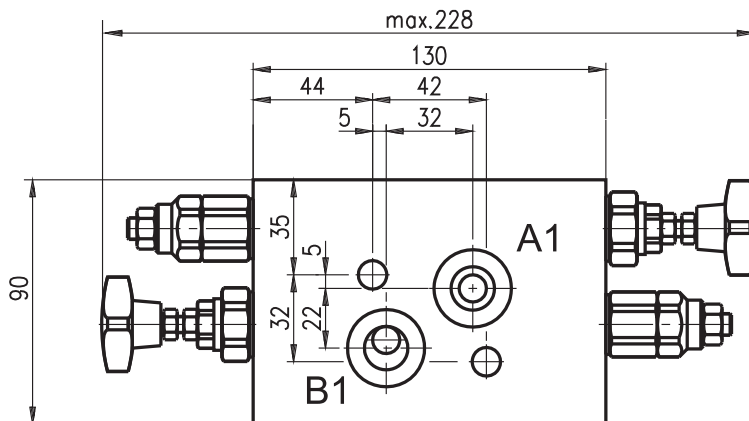
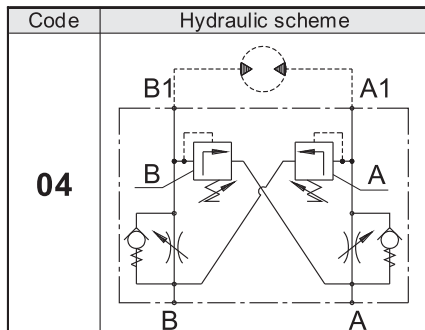


HYDRAULIC MOTOR BLOCKS TYPE BV

DISTRIBUTED BY

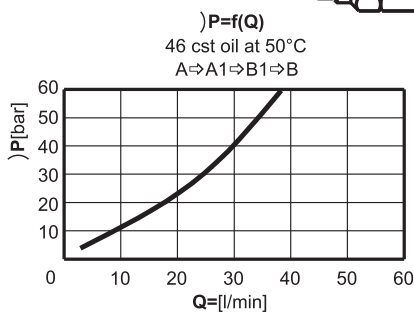


BVS .. 04/..



Pressure range			
Code	Standard setting (Q=5l/min)	Adj. pressure range	Colour
	bar	bar	
10	80	10...100	White
25	180	30...250	Yellow

Code	Adjustments
A	Leakproof hex. socket screw
B	Handknob and locknut
C	Sealing cap



Type	Nom. flow rate	P _{max.}	Port threads G
	L/min	bar	-
BVS 1204 /... -...	50	250	G1/2 - DIN 3852

ORDERING CODE

BV S 12 04 / A10 A - B25 A

