

PRODUCED BY

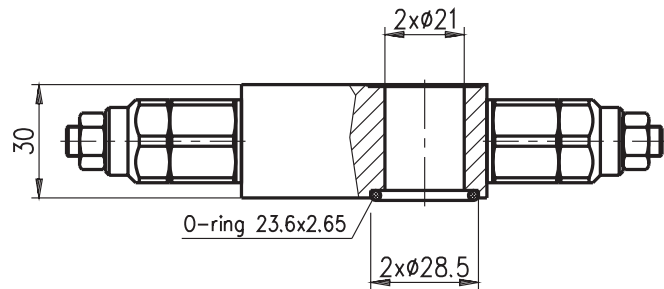
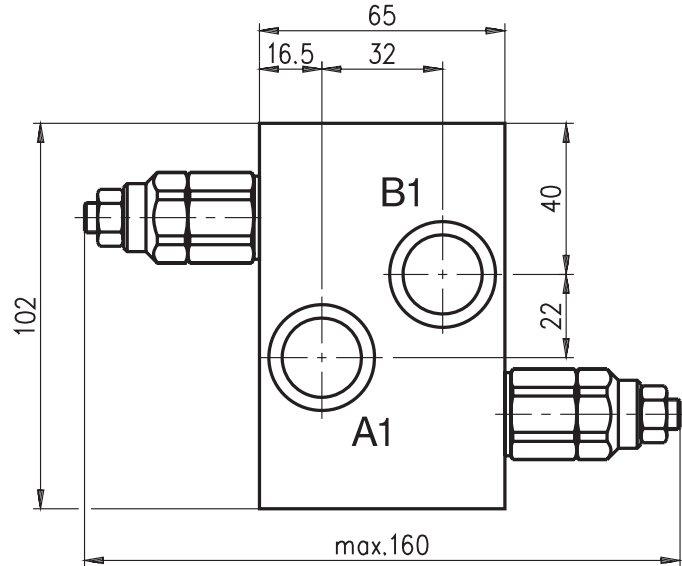
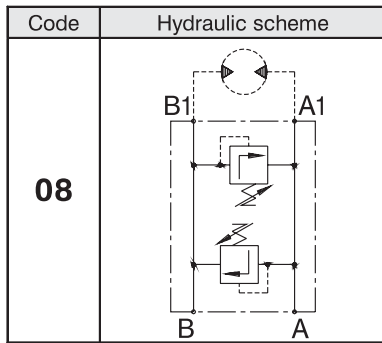


HYDRAULIC MOTOR BLOCKS TYPE BV

DISTRIBUTED BY

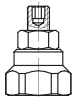
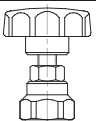


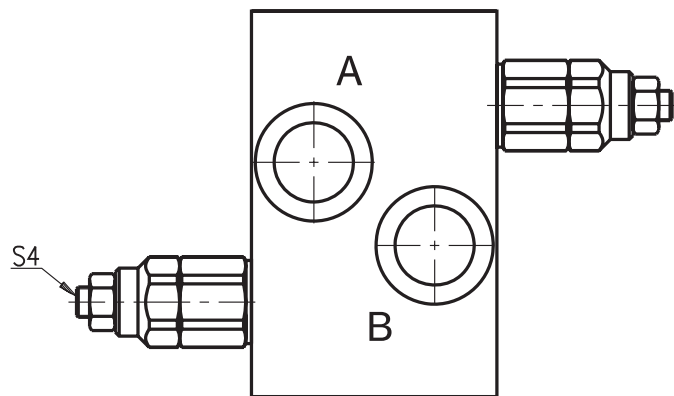
BVRH 12 08/.. .



TECHNICAL DATA		
Nominal pressure	bar	250
Nominal flow rate	L/min	50

PRESSURE RANGE			
Code	Standard setting bar (Q=5l/min)	Adj. pressure range bar	Colour
10	80	10...100	White
25	180	30...250	Yellow

Code	ADJUSTMENTS
A	Leakproof hex. socket screw 
B	Handknob and locknut 



ORDERING CODE

BV R H 12 08 / 10 A

