

PRODUCED BY



**Hidro
Pnevmo
Tehnika**

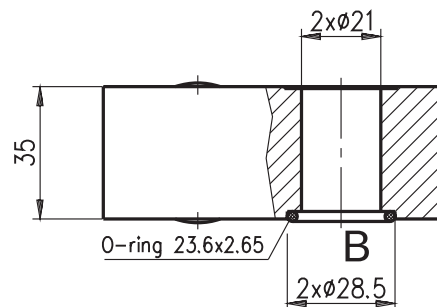
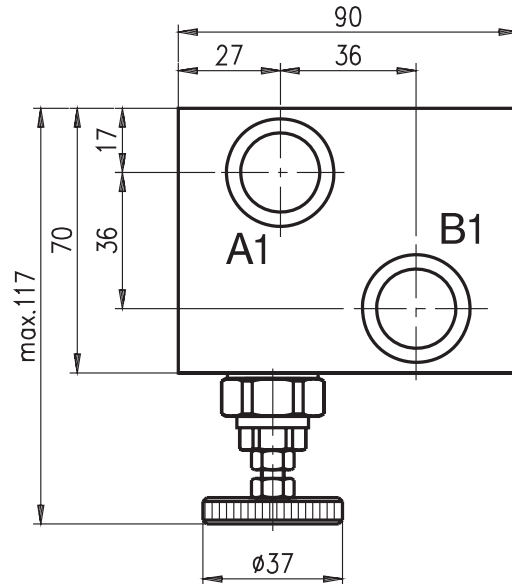
DISTRIBUTED BY



HYDRAULIC MOTOR BLOCKS TYPE BV

BVRH ..

Code	Hydraulic scheme
01	
02	



TECHNICAL DATA		
Nominal pressure	bar	210
Nominal flow rate for type 38	L/min	50

ORDERING CODE

