

PRODUCED BY



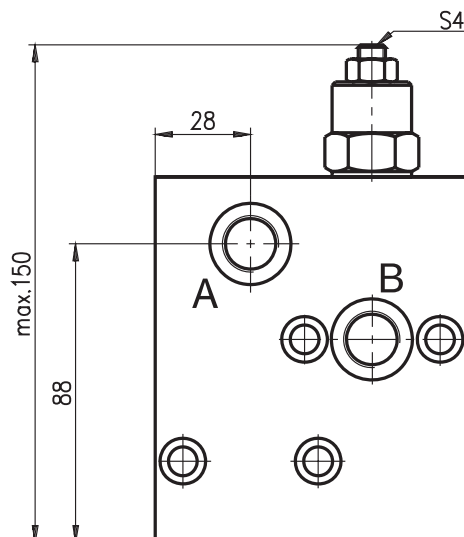
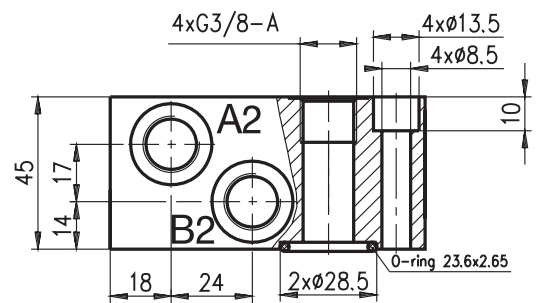
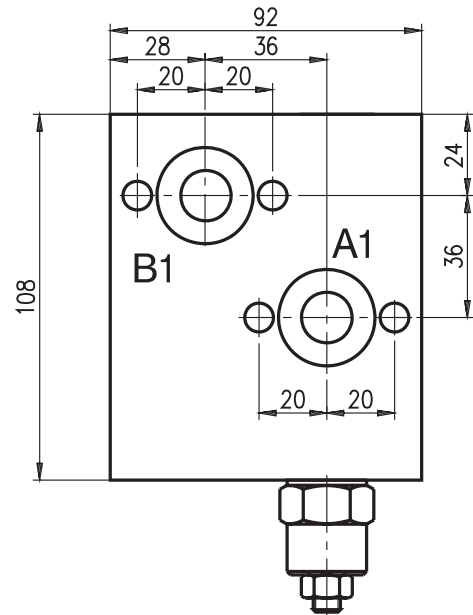
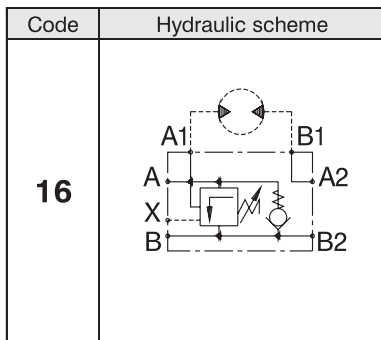
**Hidro
Pnevmo
Tehnika**

DISTRIBUTED BY



HYDRAULIC MOTOR BLOCKS TYPE BV

BVR 38 16



TECHNICAL DATA		
Max. pressure	bar	210
Nominal flow rate	L/min	30

ORDERING CODE

BVR 38 16

Type