

PRODUCED BY



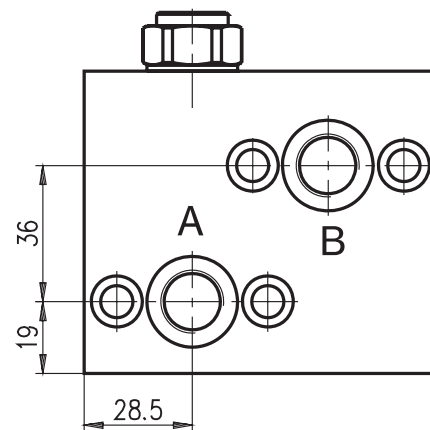
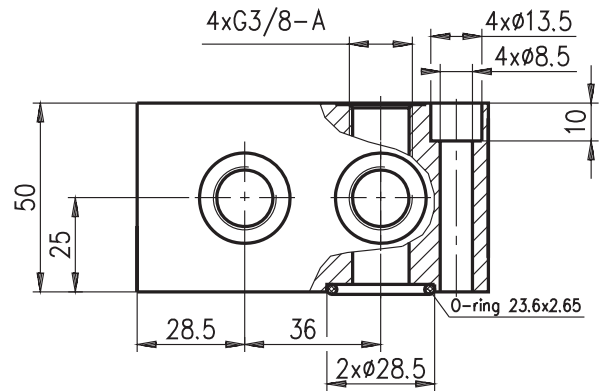
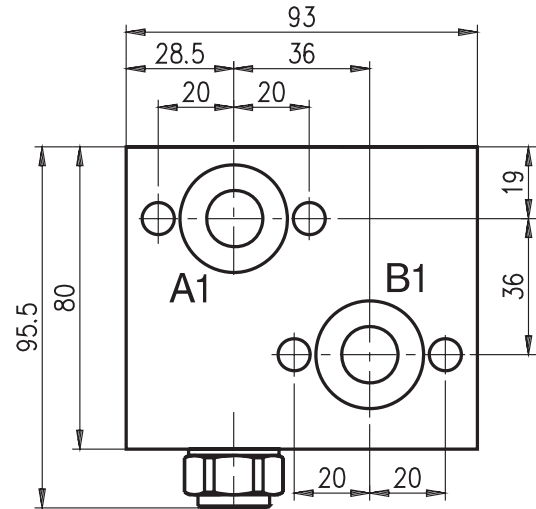
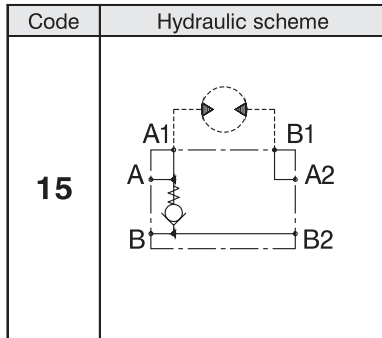
**Hidro
Pnevmo
Tehnika**

DISTRIBUTED BY



HYDRAULIC MOTOR BLOCKS TYPE BV

BVR 38 15



| TECHNICAL DATA | | |
|-------------------|-------|-----|
| Max. pressure | bar | 210 |
| Nominal flow rate | L/min | 60 |

ORDERING CODE

BVR 38 15

Type