

PRODUCED BY



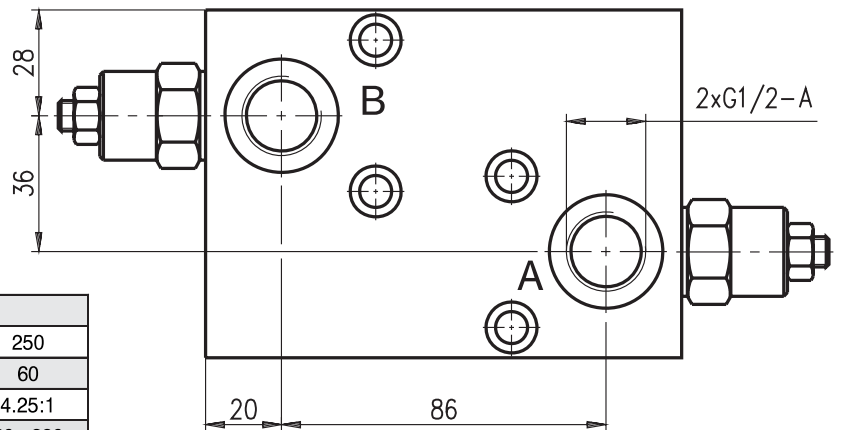
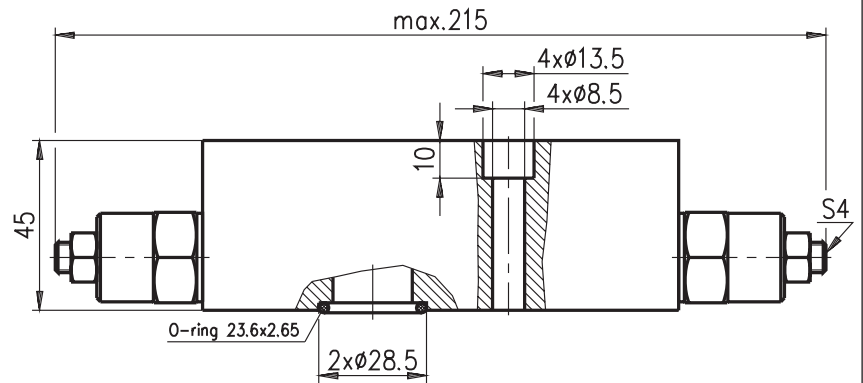
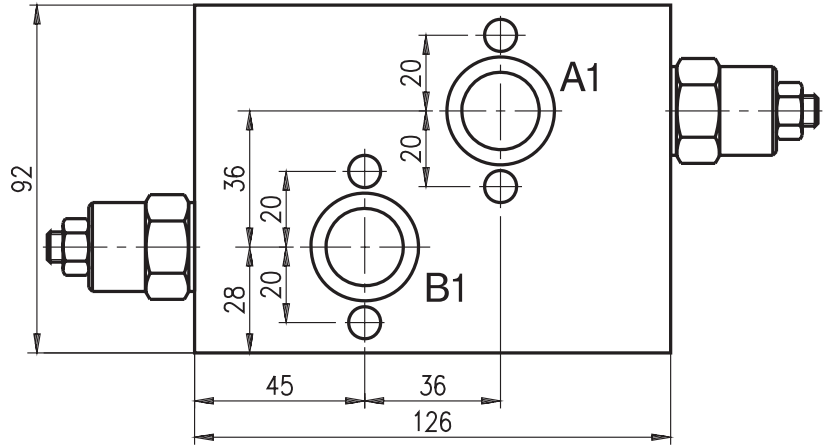
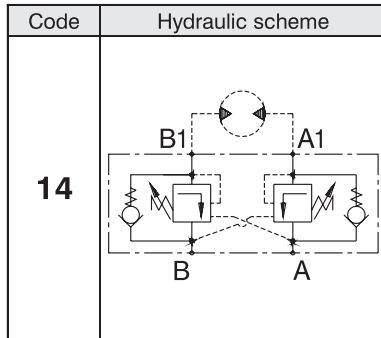
**Hidro
Pnevmo
Tehnika**

DISTRIBUTED BY



HYDRAULIC MOTOR BLOCKS TYPE BV

BVR 12 14



TECHNICAL DATA		
Max. pressure	bar	250
Nominal flow rate	L/min	60
Pressure ratio		4.25:1
Variation ratio	bar	60...280

ORDERING CODE

BVR 1214

Type