

PRODUCED BY



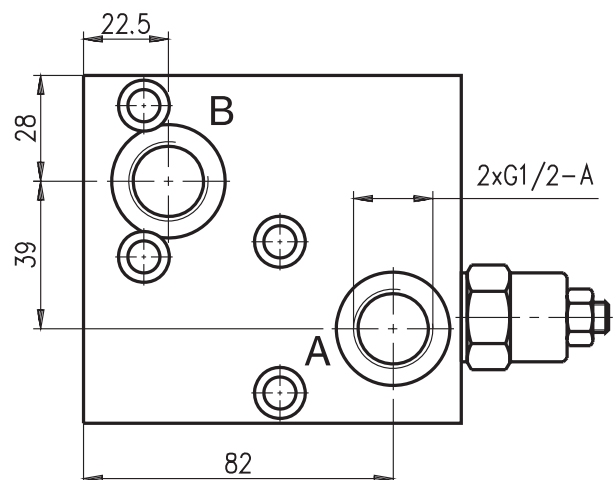
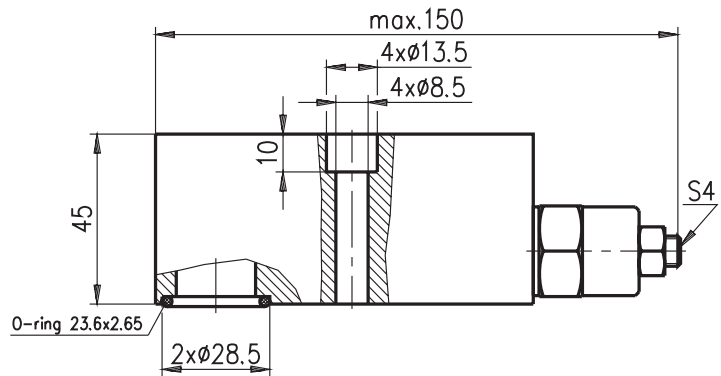
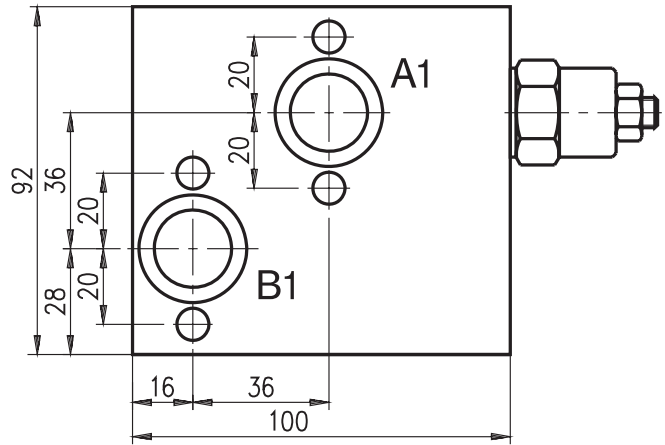
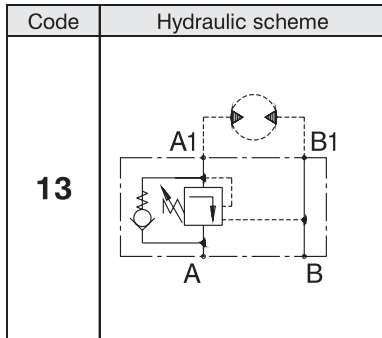
**Hidro  
Pnevmo  
Tehnika**

DISTRIBUTED BY



# HYDRAULIC MOTOR BLOCKS TYPE BV

## BVR 12 13



TECHNICAL DATA		
Nominal pressure	bar	210
Nominal flow rate	L/min	50

**ORDERING CODE**

**BVS 1213**

Type