

PRODUCED BY

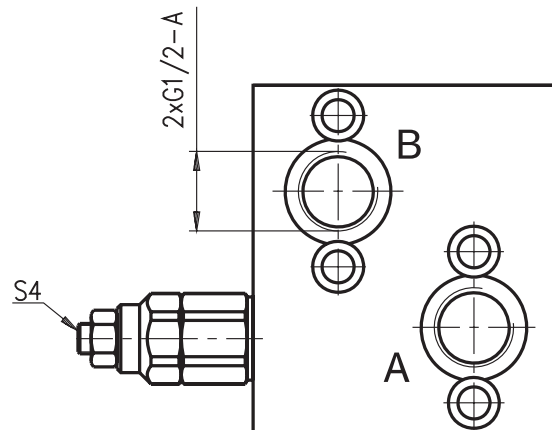
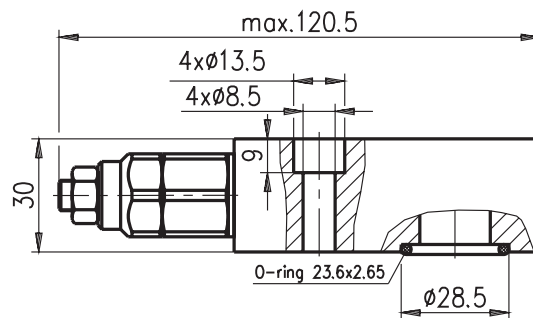
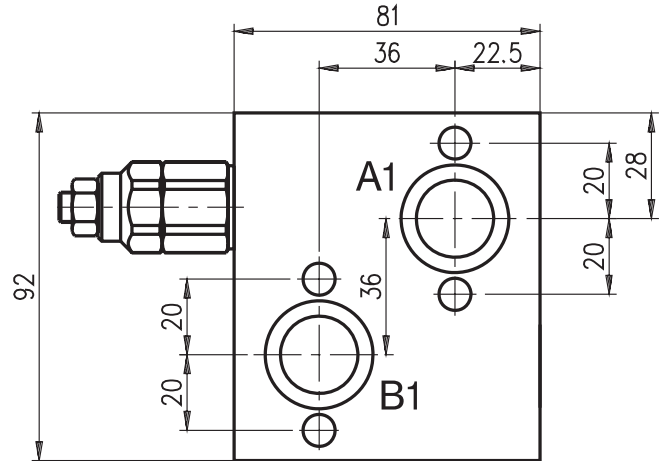
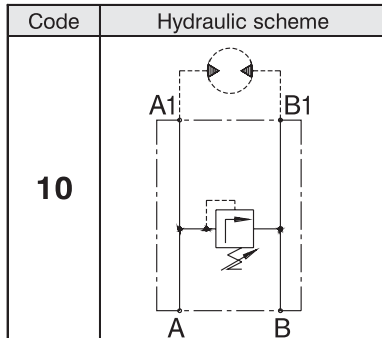


HYDRAULIC MOTOR BLOCKS TYPE BV

DISTRIBUTED BY



BVR 12 10/.. .



TECHNICAL DATA		
Nominal pressure	bar	250
Nominal flow rate	L/min	50

PRESSURE RANGE			
Code	Standard setting bar (Q=5l/min)	Adj. pressure range bar	Colour
10	80	10...100	White
25	180	30...250	Yellow

Code	ADJUSTMENTS	
A	Leakproof hex. socket screw	
B	Handknob and locknut	

ORDERING CODE

BV R 12 10/10 A

