

PRODUCED BY

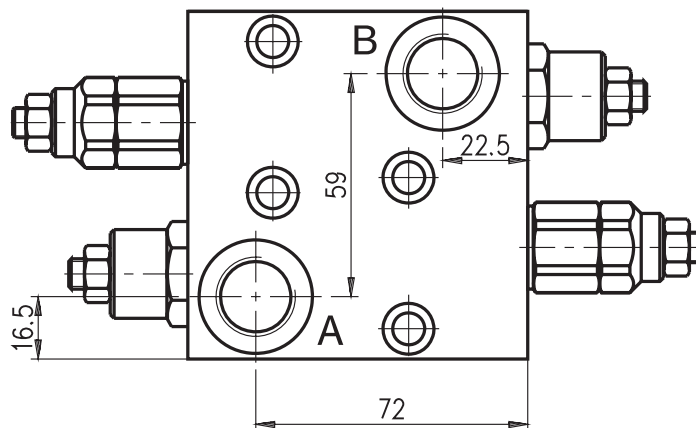
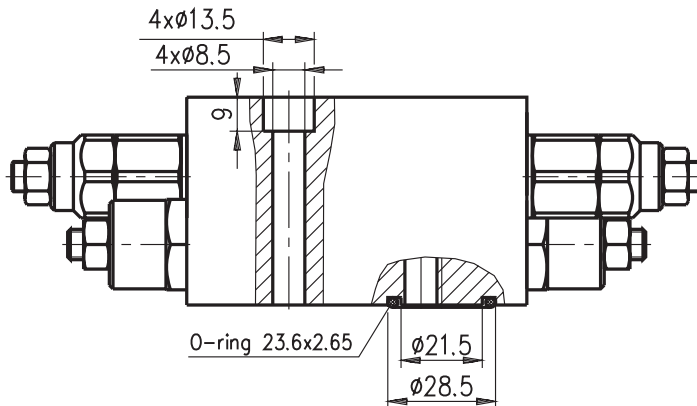
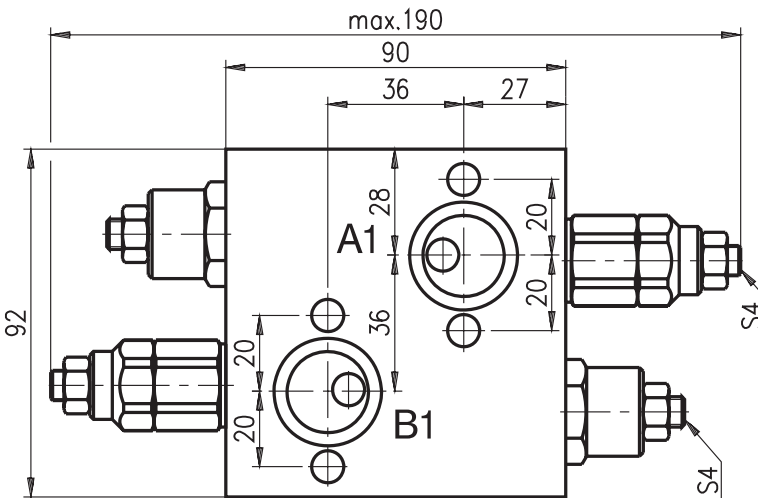
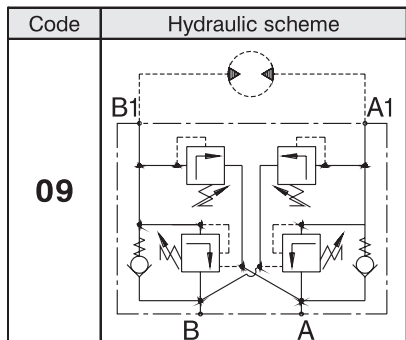


HYDRAULIC MOTOR BLOCKS TYPE BV

DISTRIBUTED BY



BVR 12 09/.. .



TECHNICAL DATA		
Max. pressure	bar	250
Nominal flow rate	L/min	50
Pressure ratio		4,25:1

PRESSURE RANGE			
Code	Standard setting bar (Q=5l/min)	Adj. pressure range bar	Colour
10	80	10...100	White
25	180	30...250	Yellow

Code	ADJUSTMENTS
A	Leakproof hex. socket screw
B	Handknob and locknut

ORDERING CODE

BV R 12 09/10 A

