

PRODUCED BY



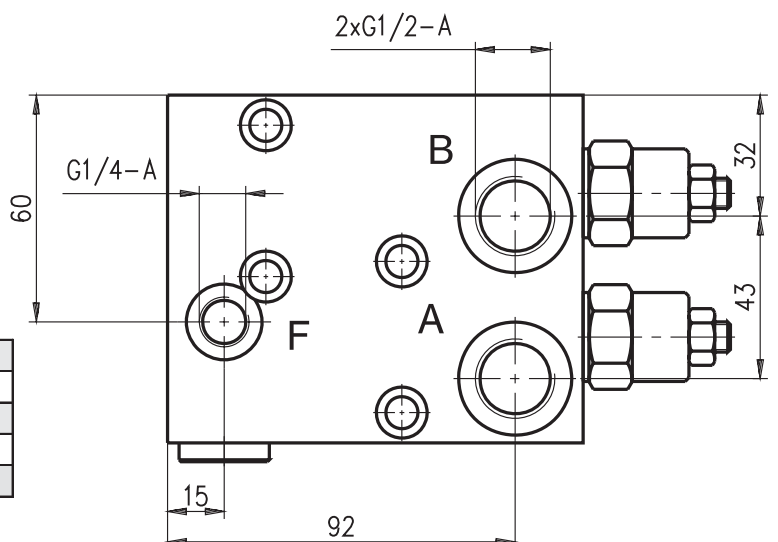
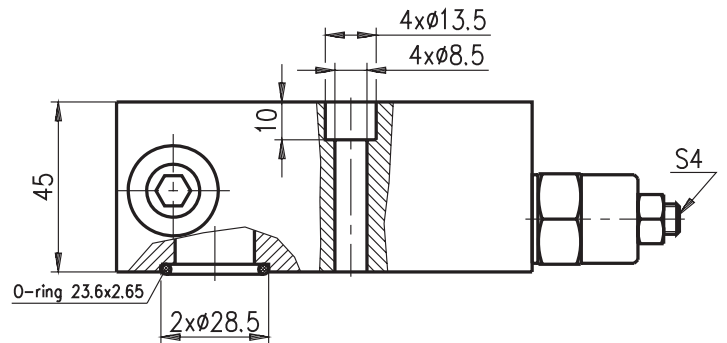
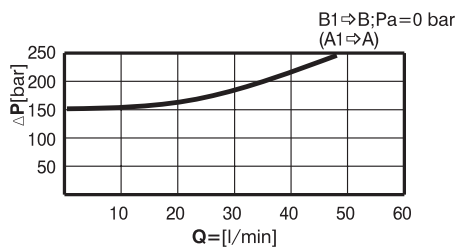
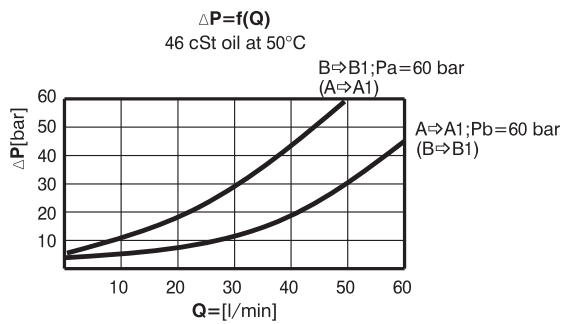
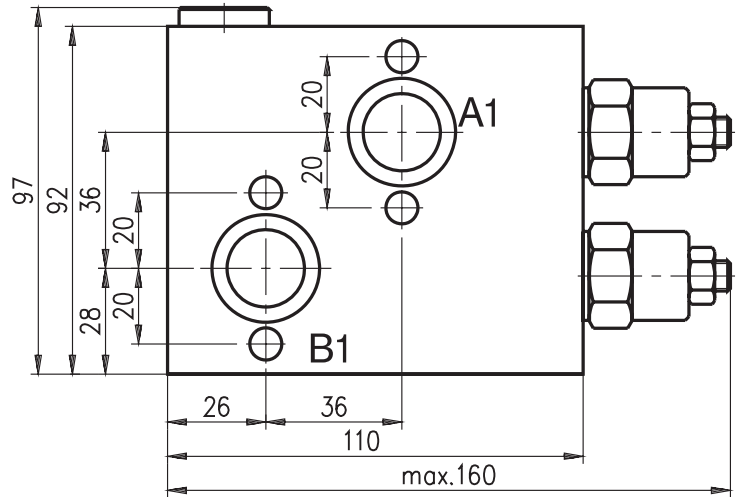
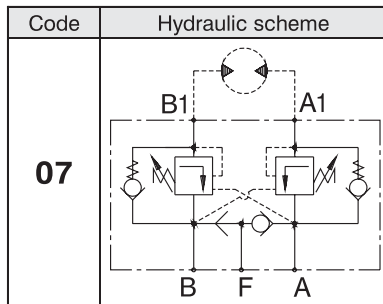
**Hidro
Pnevmo
Tehnika**

HYDRAULIC MOTOR BLOCKS TYPE BV

DISTRIBUTED BY



BVR 12 07



TECHNICAL DATA

Max. pressure	bar	250
Nominal flow rate	L/min	60
Pressure ratio		4,25:1
Variation ratio	bar	60...280

ORDERING CODE

BVR 1207

Type