

PRODUCED BY



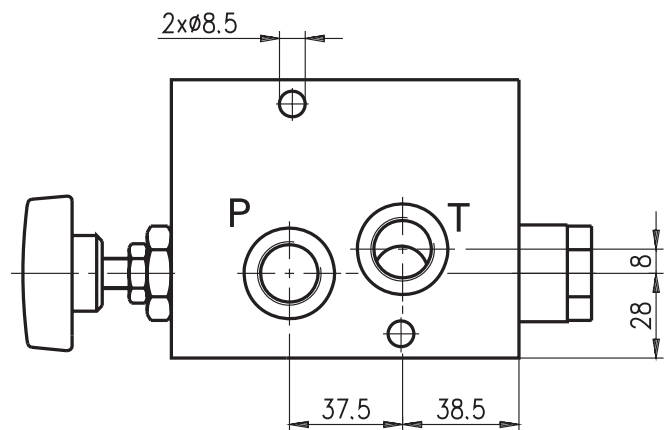
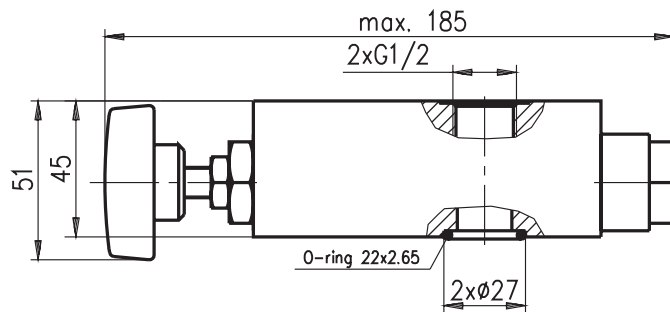
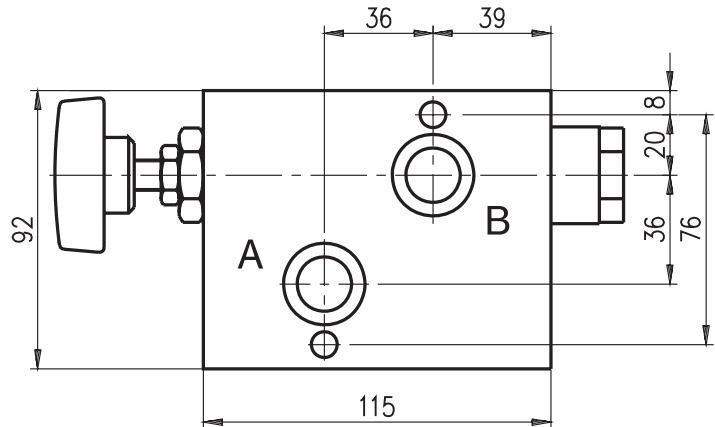
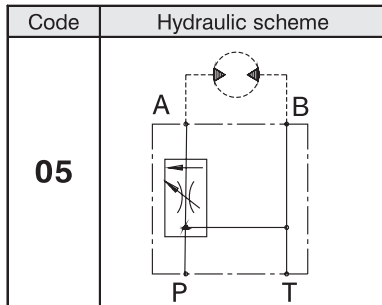
**Hidro
Pnevmo
Tehnika**

DISTRIBUTED BY



HYDRAULIC MOTOR BLOCKS TYPE BV

BVR 12 05



TECHNICAL DATA

Nominal pressure	bar	250
Nominal flow rate	L/min	60

ORDERING CODE

BVR 1205

Type