

PRODUCED BY



HYDRAULIC MOTOR BLOCKS TYPE BV

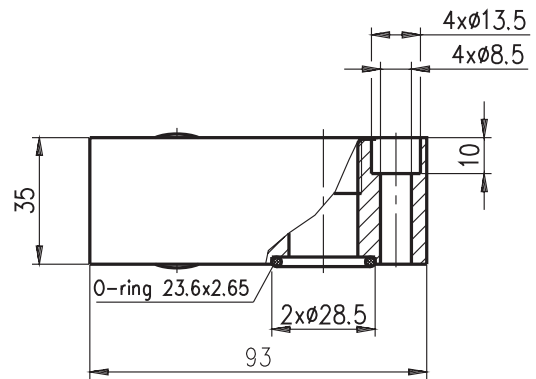
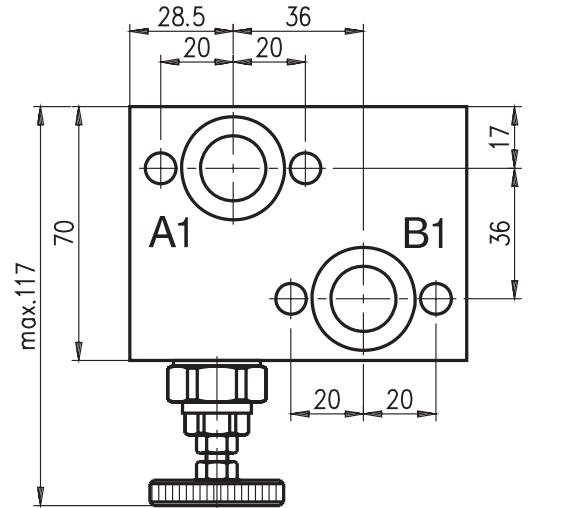
DISTRIBUTED BY



BVR .. .

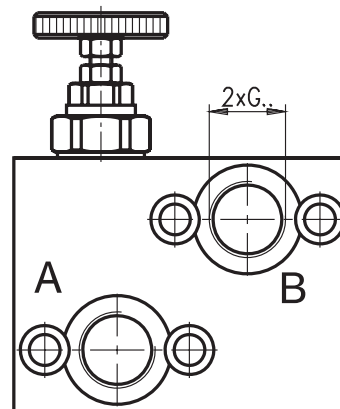


Code	Hydraulic scheme
01	
02	



PORT THREADS CODE	
Port threads G3/8"	38
Port threads G1/2"	12

TECHNICAL DATA		
Nominal pressure	bar	210
Nominal flow rate for type 38	L/min	25
Nominal flow rate for type 12	L/min	50



ORDERING CODE

BV R 12 / 01

