

PRODUCED BY



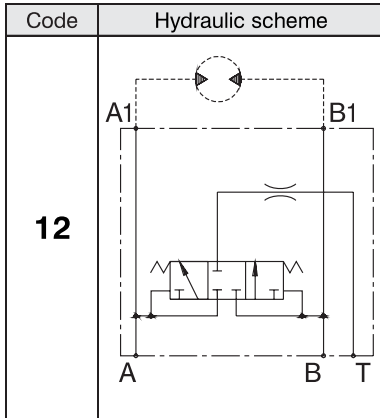
**Hidro
Pnevmo
Tehnika**

DISTRIBUTED BY

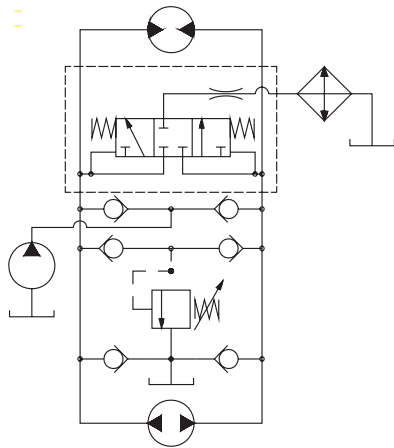


HYDRAULIC MOTOR BLOCKS TYPE BD

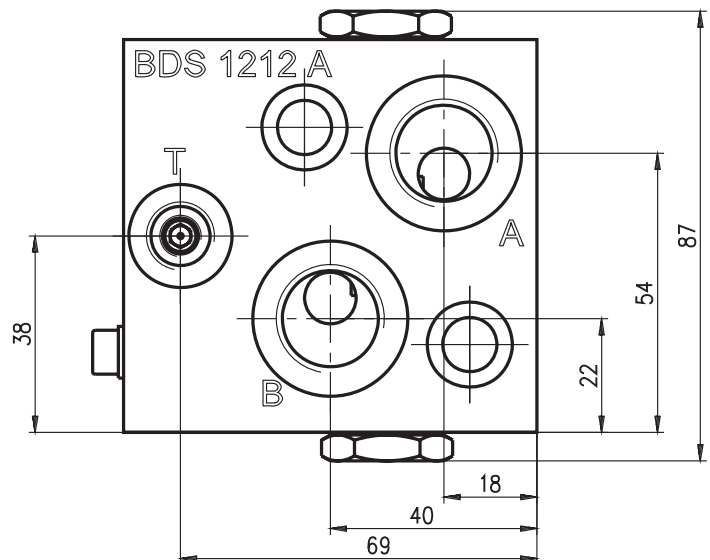
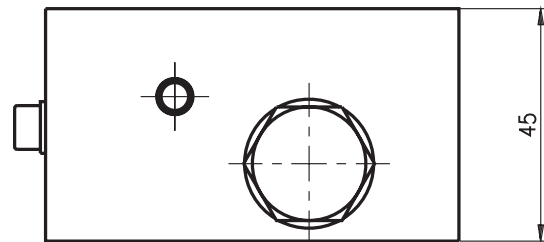
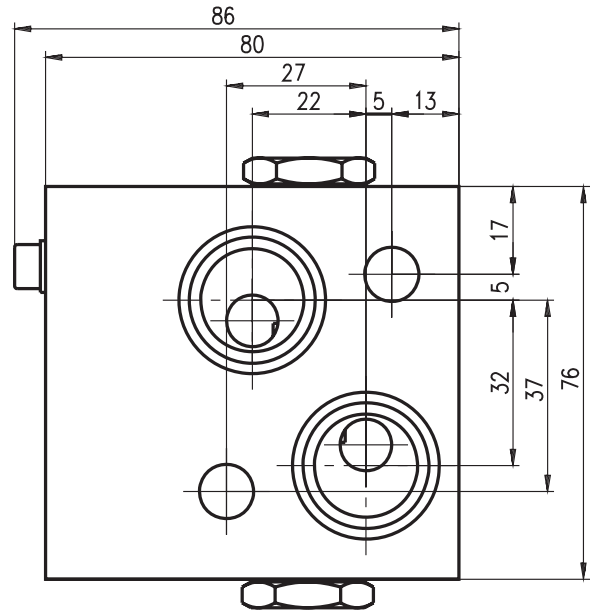
BDS 1212A



The manifold block is used in closed hydraulic systems to separate flow for cooling. It is connected according to the enclosed hydraulic design.



| TECHNICAL DATA | | |
|-------------------|-------|-----|
| Nominal pressure | bar | 210 |
| Nominal flow rate | L/min | 40 |



ORDERING CODE

BD S 12 12 A

