

PRODUCED BY



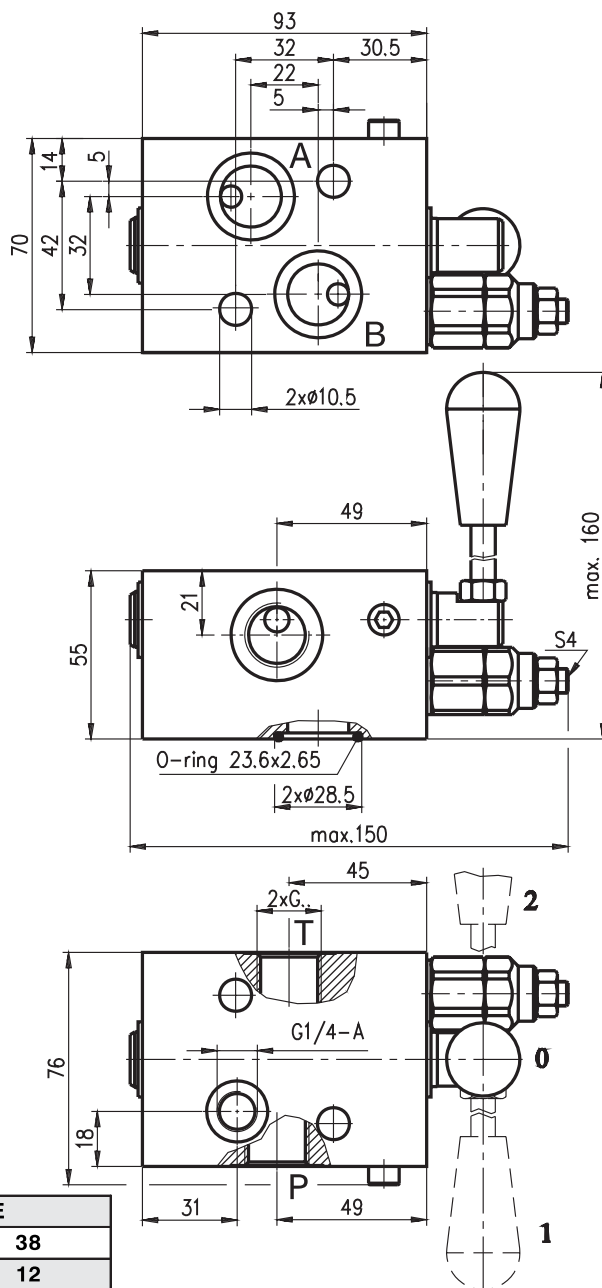
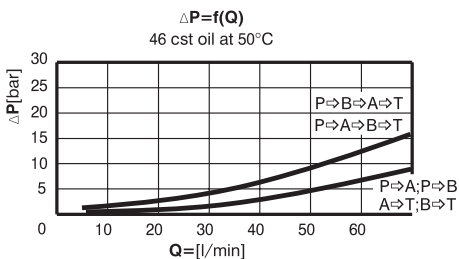
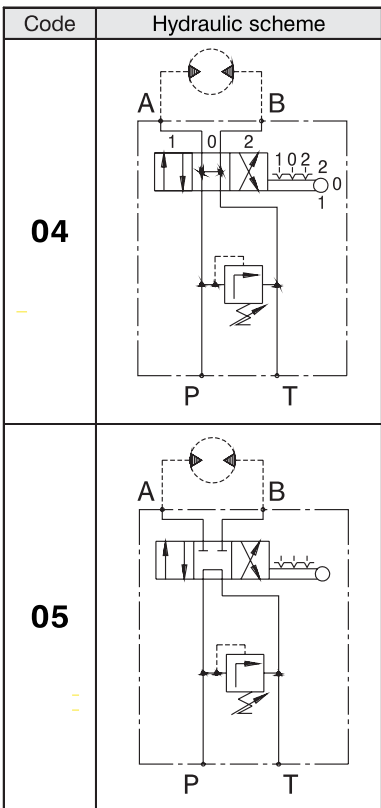
# HYDRAULIC MOTOR BLOCKS TYPE BD



DISTRIBUTED BY



**BDS .. .. / .. ..**



TECHNICAL DATA		
Nominal flow rate for type 38	L/min	25
Nominal flow rate for type 12	L/min	50

Code	Adjustments
<b>A</b>	Leakproof hex. socket screw
<b>B</b>	Handknob and locknut

PORT THREADS CODE	
Port threads G3/8"	<b>38</b>
Port threads G1/2"	<b>12</b>

Pressure range			
Code	Standard setting bar (Q=5l/min)	Adj. pressure range bar	Colour
<b>10</b>	80	10...100	White
<b>25</b>	180	30...250	Yellow

## ORDERING CODE

**BD S 12 04 / 10 A**

