

PRODUCED BY



**Hidro
Pnevmo
Tehnika**

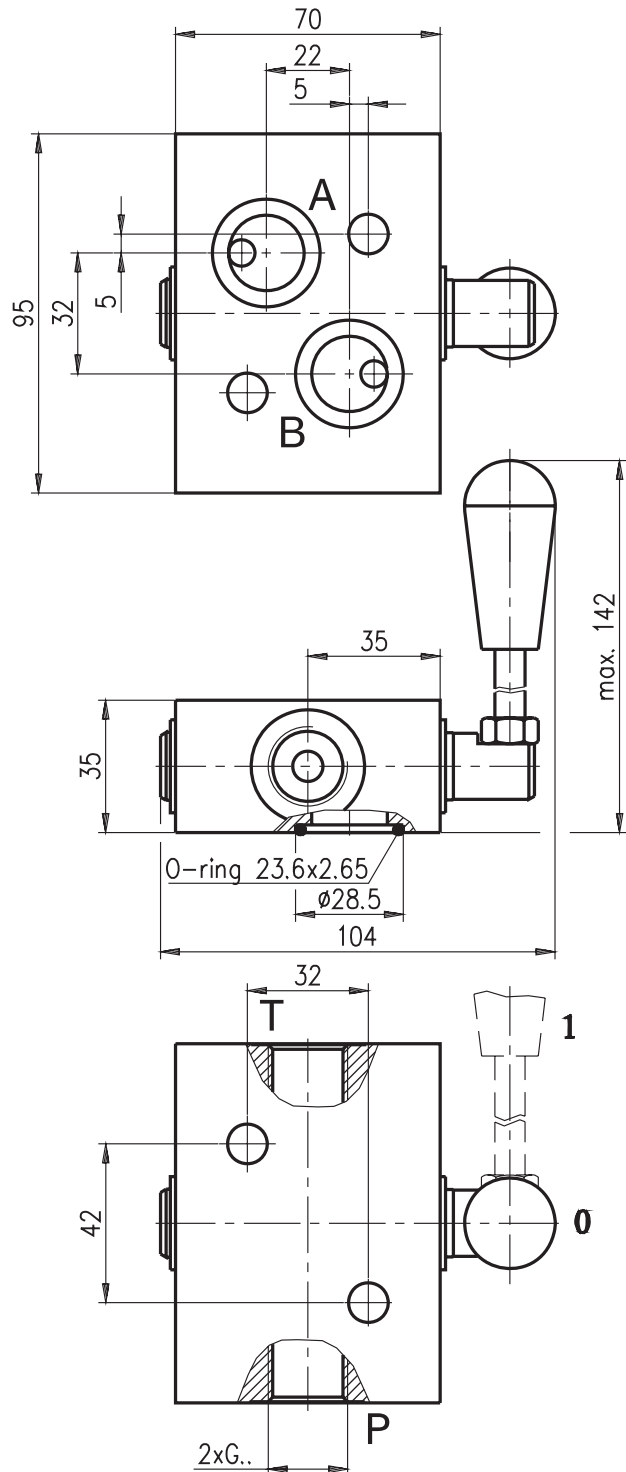
HYDRAULIC MOTOR BLOCKS TYPE BD

DISTRIBUTED BY



BDS .. 03

Code	Hydraulic scheme
03	



PORT THREADS CODE	
Port threads G3/8"	38
Port threads G1/2"	12

TECHNICAL DATA		
Nominal pressure	bar	210
Nominal flow rate for type 38	L/min	25
Nominal flow rate for type 12	L/min	50

ORDERING CODE

