

PRODUCED BY

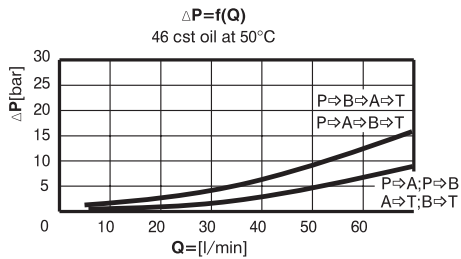
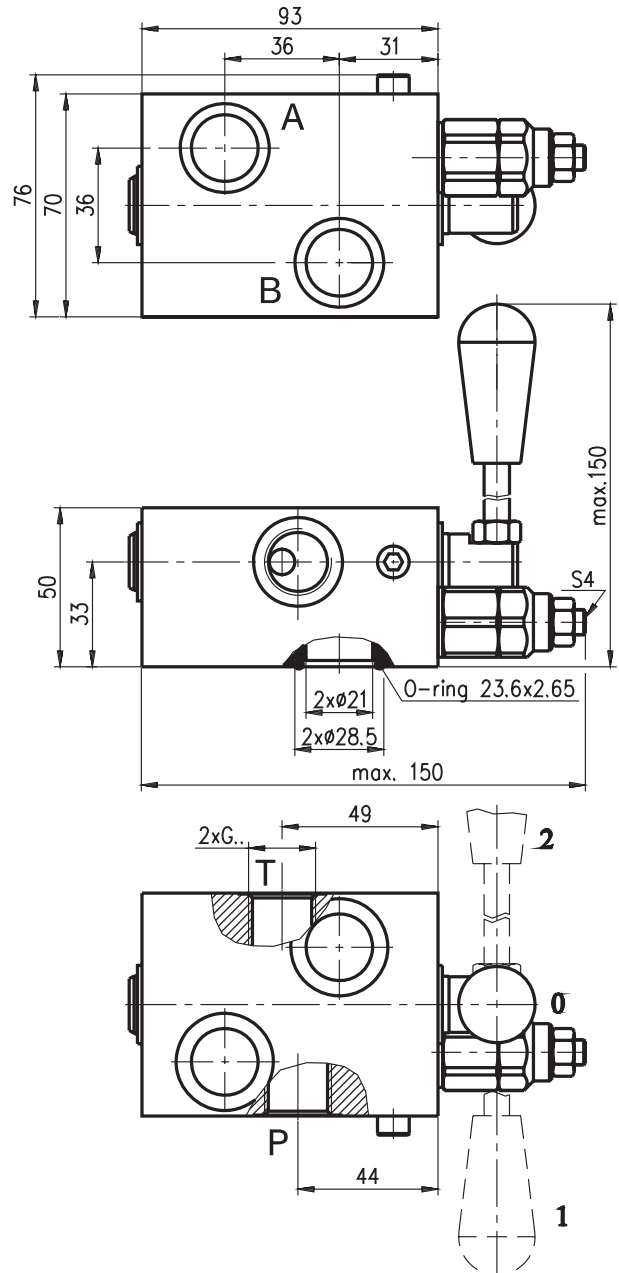
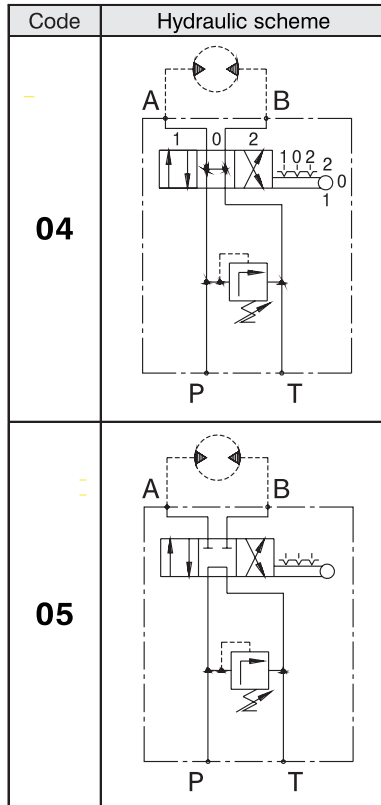


HYDRAULIC MOTOR BLOCKS TYPE BD

DISTRIBUTED BY



BDRH/..



TECHNICAL DATA		
Nominal flow rate for type 38	L/min	25
Nominal flow rate for type 12	L/min	50

Pressure range			
Code	Standard setting bar (Q=5l/min)	Adj. pressure range bar	Colour
10	80	10...100	White
25	180	30...250	Yellow

PORT THREADS CODE	
Port threads G3/8"	38
Port threads G1/2"	12

ORDERING CODE

BD R H 12 05 / 10

