

PRODUCED BY



**Hidro
Pnevmo
Tehnika**

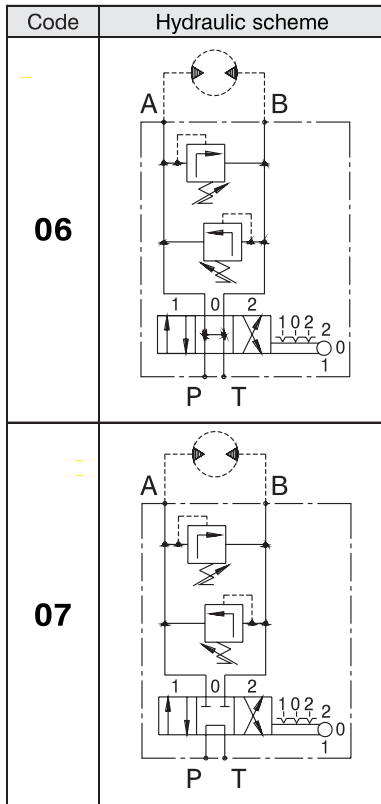
DISTRIBUTED BY



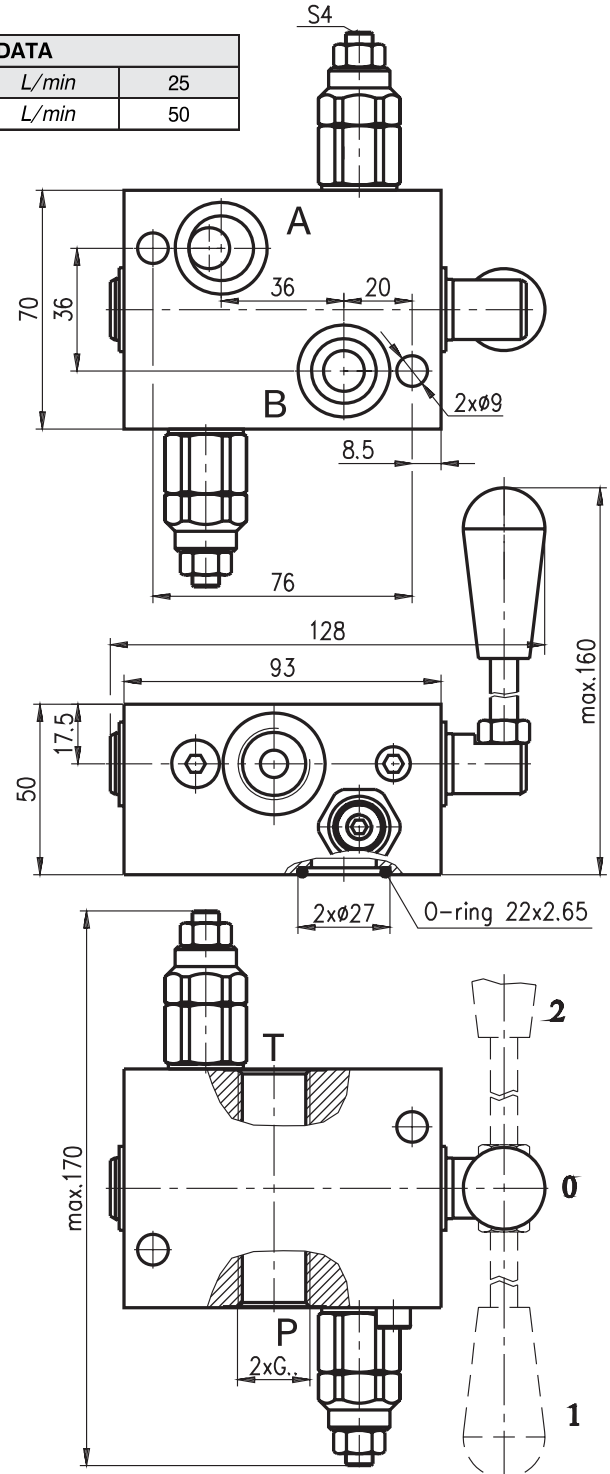
HYDRAULIC MOTOR BLOCKS TYPE BD



BDR /



TECHNICAL DATA		
Nominal flow rate for type 38	L/min	25
Nominal flow rate for type 12	L/min	50



Code	Adjustments
A	Leakproof hex. socket screw
B	Handknob and locknut

PORT THREADS CODE	
Port threads G3/8"	38
Port threads G1/2"	12

Pressure range			
Code	Standard setting bar (Q=5l/min)	Adj. pressure range bar	Colour
10	80	10...100	White
25	180	30...250	Yellow

ORDERING CODE

BD R 12 06 / 10 A

Type	Hydraulic motor type R (EPM or EPRM)	Code scheme 06,07	Adjustments code: A,B
		Port threads 38,12	Pressure range code: 10,25