

PRODUCED BY



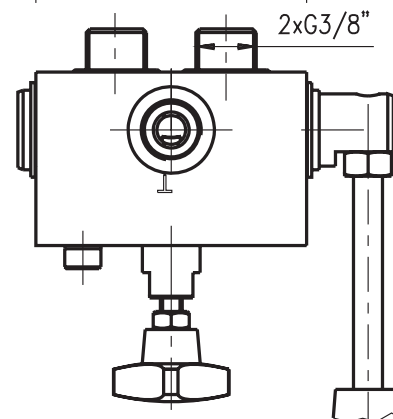
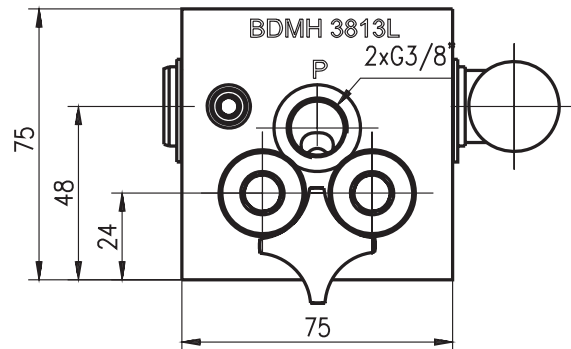
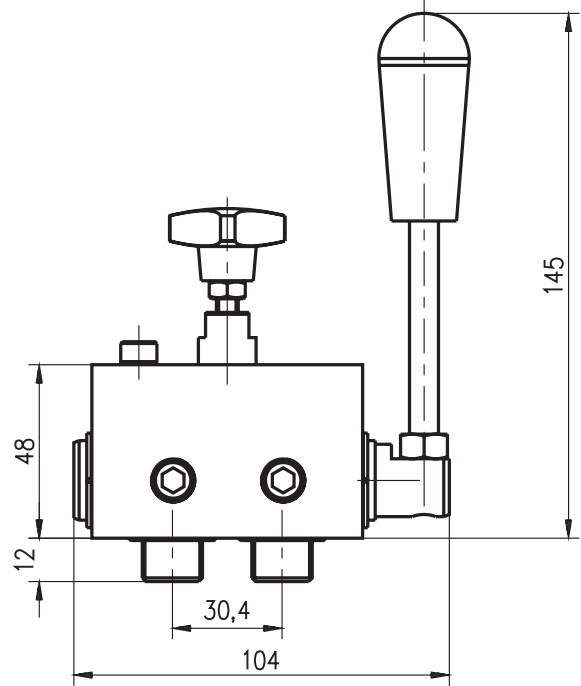
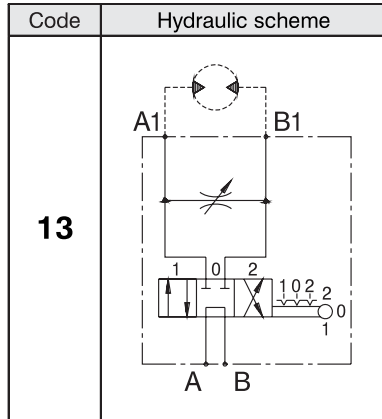
**Hidro
Pnevmo
Tehnika**

DISTRIBUTED BY



HYDRAULIC MOTOR BLOCKS TYPE BD

BDMH 38 13 L



TECHNICAL DATA		
Nominal pressure	bar	210
Nominal flow rate	L/min	40

ORDERING CODE

BDM H 38 13 L

