

PRODUCED BY

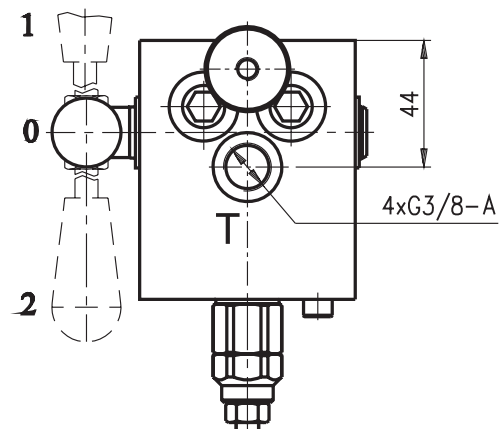
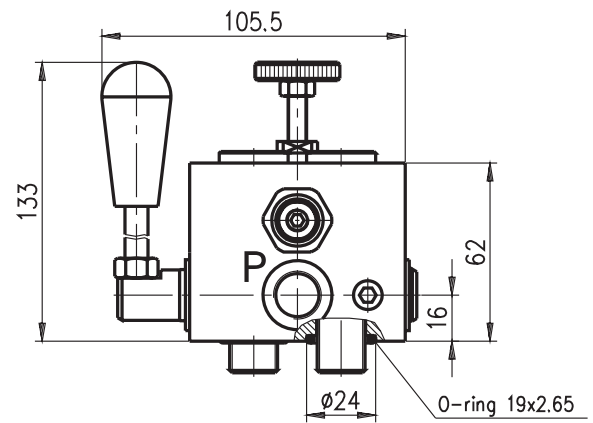
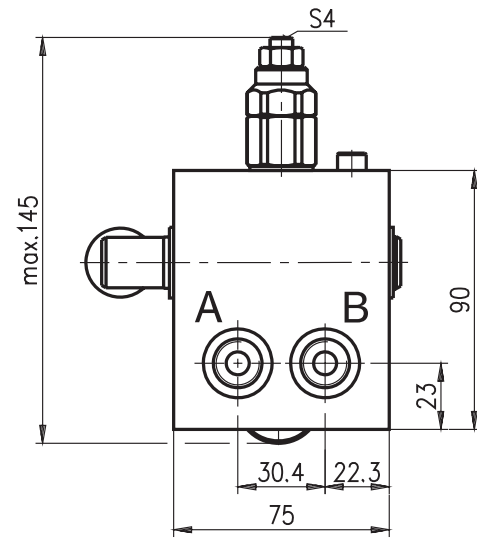
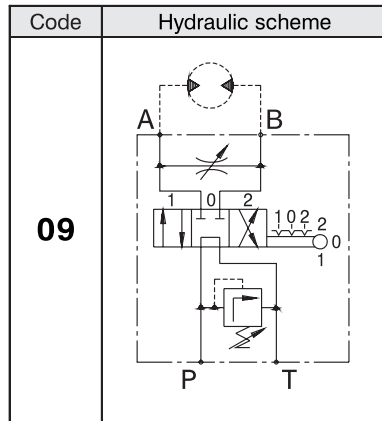


HYDRAULIC MOTOR BLOCKS TYPE BD

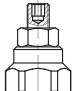
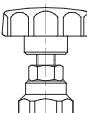
DISTRIBUTED BY



BDMH 38 09



TECHNICAL DATA		
Nominal flow rate	L/min	30

Code	Adjustments
A	Leakproof hex. socket screw 
B	Handknob and locknut 

Pressure range			
Code	Standard setting bar (Q=5l/min)	Adj. pressure range bar	Colour
10	80	10...100	White
25	180	30...250	Yellow

ORDERING CODE

BDM H 38 09 / 10 A

Type

Connection with hollow bolts

Code scheme **09**

Adjustments code: **A,B**

Screw threads: **G3/8**

Pressure range code: **10,25**