

PRODUCED BY



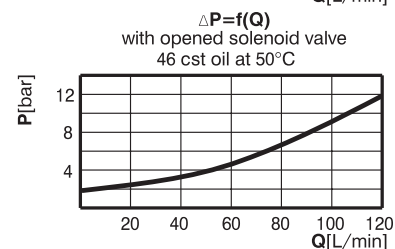
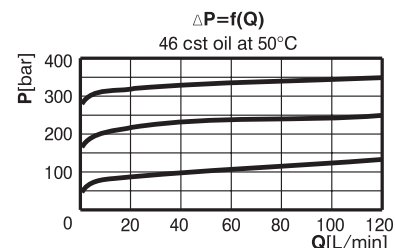
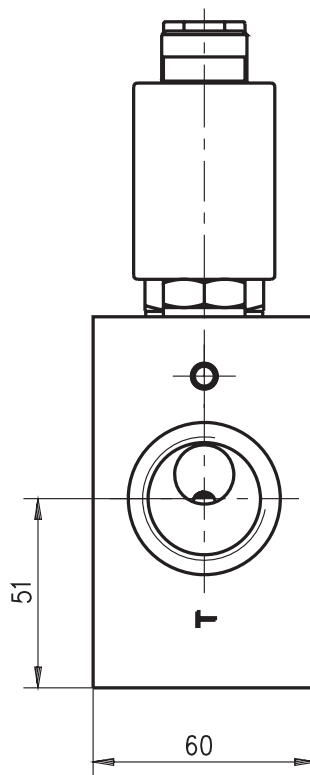
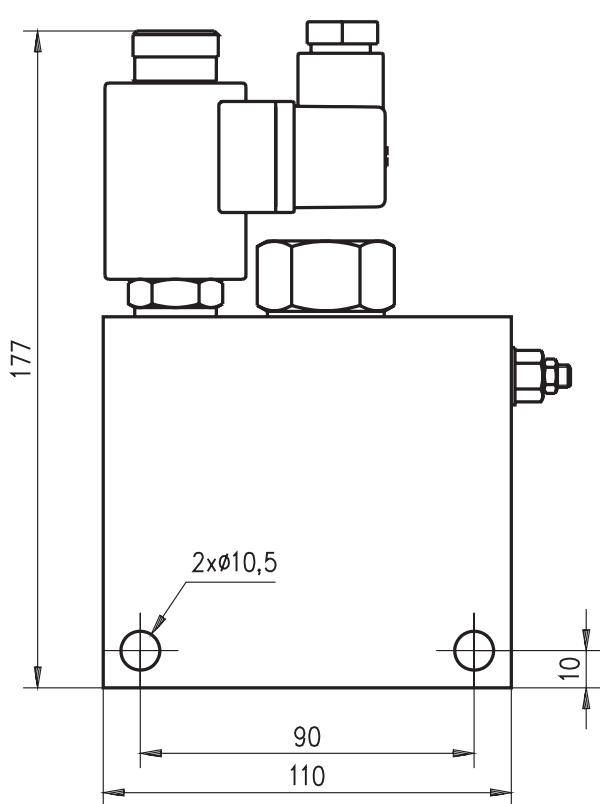
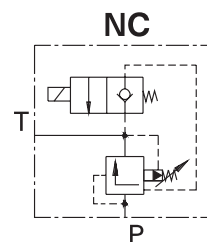
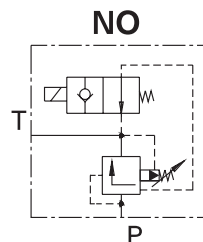
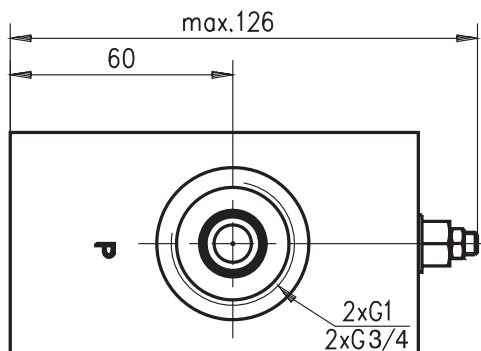
**Hidro
Pneumotehnika**

DISTRIBUTED BY



PILOT OPERATED PRESSURE RELIEF VALVE WITH ELECTRIC CONTROL

RVE



Pressure range		
Code	Standard setting bar (Q=5l/min)	Adj. pressure range bar
10	80	10...100
25	180	30...250
35	250	70...350

All performances and calibration are carried out by using hydraulic oil with viscosity approx. 46 cSt at 50 °C . Temperature range: -20 °C...+80 °C. Filtration absolute: 25µm

ORDERING CODE

RVE 1-25 NO 24 DC

Current: **DC,AC**

Type

Nominal solenoid voltage:
12,24,110,220

Port threads G : **1,34**

Pressure range code: **10,25,35**

Solenoid valve type: **NO,NC**
(See hydraulic scheme at the top)