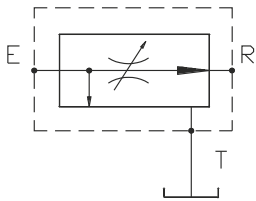


DESCRIPTION

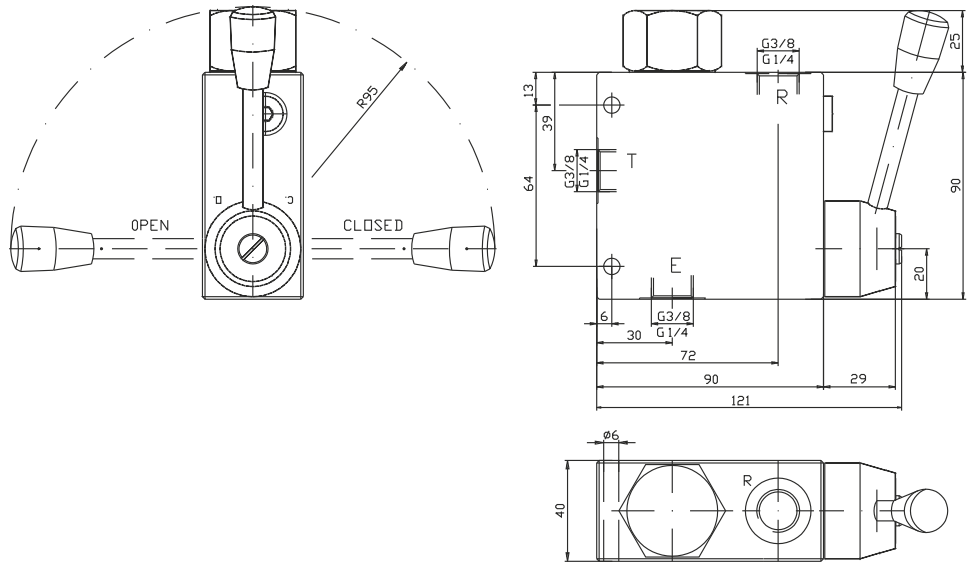
- ✓ Three way flow control valves for pipe mounting -RD10/3T... and RD12/3T...
- ✓ The flow control valves are designed to regulate the flow rate in the hydraulic system, independently of the inlet flow and pressure variations in it. Priority flow regulator gives priority of the adjusted flow to pass entirely to bypass, tank or a separate system.

SYMBOL

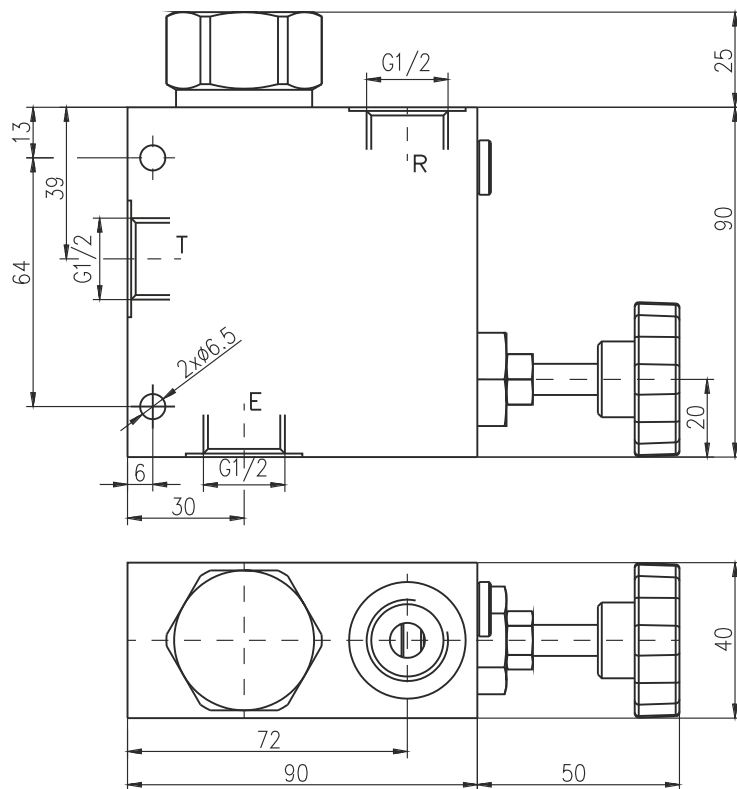


DIMENSIONS

RD10/3T38  
RD10/3T14



RD12/3TV12



BULGARIA, 6100 Kazanlak,  
31, Makariopolski str.,  
Tel.: (+359 431) 622-22, 655-89  
Fax: (+359 431) 622-23,  
e-mail: shipka54@mbox.contact.bg

# FLOW CONTROL VALVE

RD.../3T...

## ORDERING CODE

RD \*\*\* / 3 T - \*\*\*\* \*\* \*\* \*\* \*\*

Flow control valve

Nominal bore:

10mm - 10

12mm - 12

3 - way valve

Pipe mounting

Type of handle:

standard(see RD10/3T) - omit

"V" type(see RD12/3TV - V

Backing of the housing:

N - Normal

T - Tropical

Body material:

Al - Aluminum

St - Steel

Threads:

14 - G1/4"

38 - G3/8"

12 - G1/2"

## TECHNICAL DATA

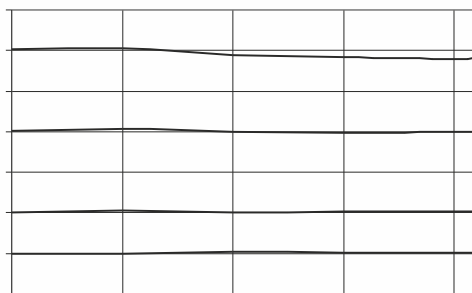
Max. admitted inlet flow "E"	RD12/3T...	90 l/min
	RD10/3T...	50 l/min
Max. delivery in regulated flow "R"	RD12/3T...	50 l/min
	RD10/3T...	30 l/min
Minimum flow	RD12/3T...	10 l/min
	RD10/3T...	4 l/min
Nominal pressure		210 bar
Working liquid-hydraulic oils with characteristics:		
-viscosity		10...400 cSt
-degree of filtration		0,025 mm
-temperature		-20...+80°C

## CHARACTERISTICS

RD10/3T38

RD10/3T14

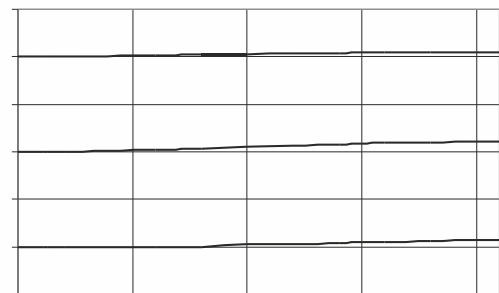
n x lã äz



DëxÄ-êz

RD12/3TV12

n x lã äz



DëxÄ-êz

RD-3T-1-Apr 2013