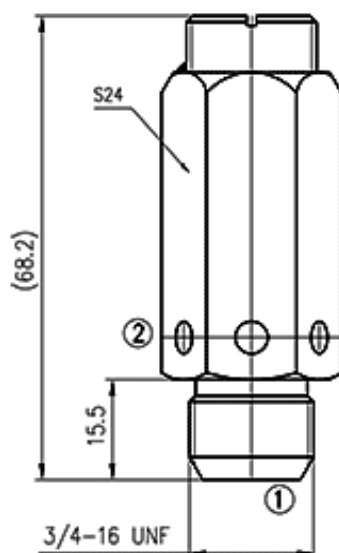


RELIEF VALVE RV 20-C



DESCRIPTION

A screw-in, cartridge-style, direct-acting, poppet-type, hydraulic relief valve intended for lower flow circuits requiring low internal leakage.

OPERATION

The RV20-C blocks flow from 1 to 2 until sufficient pressure is present at 1 to force the spring-opposed poppet from its seat.

RATINGS

Operating pressure: 200 bar

Flow: 35L/min.

Internal Leakage: 0.25cc/minute at 200bar max. to 75% of nominal setting

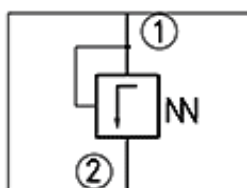
Temperature: -20 to 90°C with standard Buna seals.

Filtration: Recommend 25 microns nominal or better.

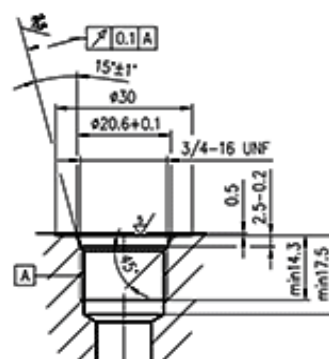
Fluids: Mineral-based or synthetics with lubricating properties at viscosities of 7.4 to 420 cSt.

Installation: No restrictions.

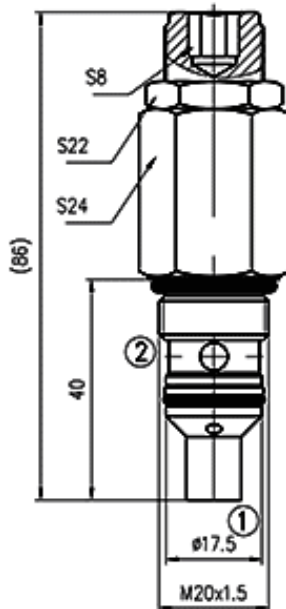
Symbol



Cavity



RELIEF VALVE RV 40 - __ B



DESCRIPTION

A screw-in, cartridge-style, direct-acting, poppet-type, hydraulic relief valve intended for lower flow circuits requiring low internal leakage.

OPERATION

The RV40...B blocks flow from 1 to 2 until sufficient is pressure is present at 1 to force the spring-opposed poppet from its seat.

RATINGS

Operating pressure: 350 bar

Flow: 40L/min.

Internal Leakage: 0.25cc/minute at 200bar max. to 75% of nominal setting

Standard Spring Ranges:

10 to 100bar

30 to 250bar

30 to 350bar

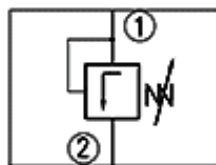
Temperature: -20 to 90°C with standard Buna seals.

Filtration: Recomend 25 microns nominal or better.

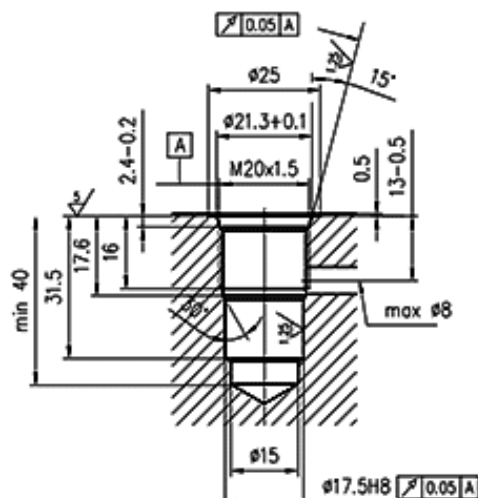
Fluids: Mineral-based or synthetics with lubricating properties at viscosities of 7.4 to 420 cSt.

Istallation: No restrictions.

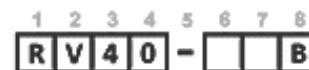
Symbol



Cavity



TO ORDER



Pressure

10 ... 100 bar **10**

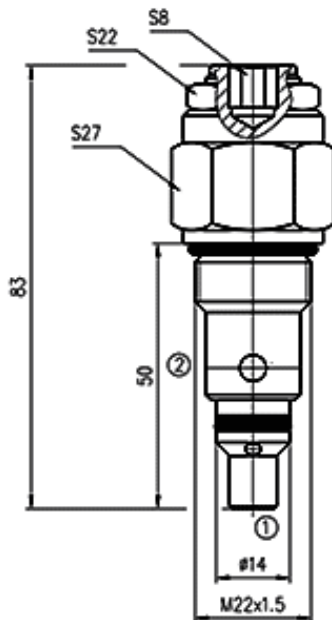
30 ... 250 bar **25**

30 ... 350 bar **30**

Standart setting made at 5 l/min.

Relief Valves

RELIEF VALVES RV 60 - __ A



DESCRIPTION

A screw-in, cartridge-style, direct-acting, poppet-type, hydraulic relief valve intended for lower flow circuits requiring low internal leakage.

OPERATION

The RV35...A blocks flow from 1 to 2 until sufficient pressure is present at 1 to force the spring-opposed poppet from its seat.

RATINGS

Operating pressure: 250 bar

Flow: 60L/min.

Internal Leakage: 0.25cc/minute at 200bar max. to 75% of nominal setting

Standard Spring Ranges:

5 to 40bar

30 to 100bar

80 to 250bar

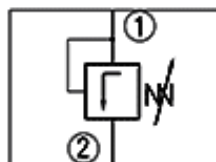
Temperature: -20 to 90°C with standard Buna seals.

Filtration: Recommend 25 microns nominal or better.

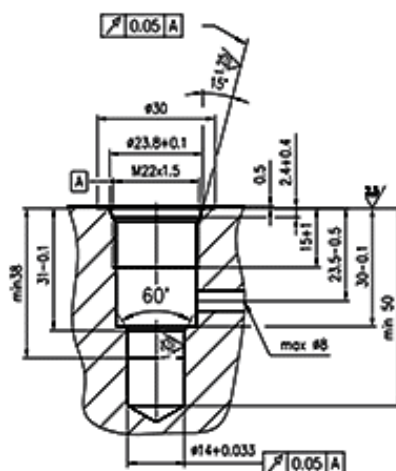
Fluids: Mineral-based or synthetics with lubricating properties at viscosities of 7.4 to 420 cSt.

Installation: No restrictions.

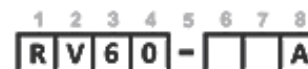
Symbol



Cavity



TO ORDER



Pressure

5 ... 40 bar **04**

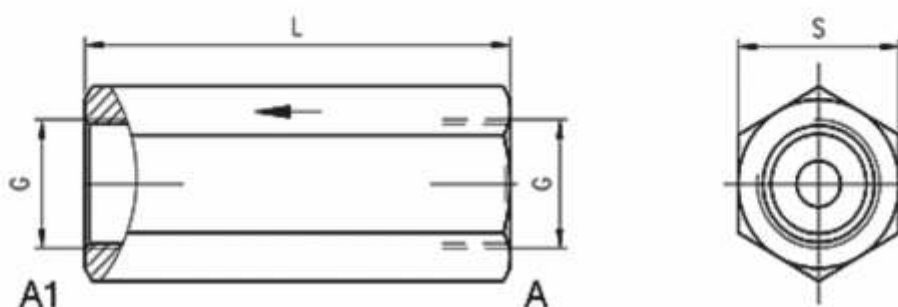
30 ... 100 bar **10**

80 ... 250 bar **25**

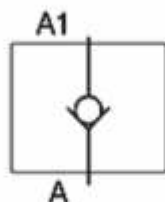
Standard setting made at 5 l/min.

Relief Valves

CHECK VALVE CV - _ _ _



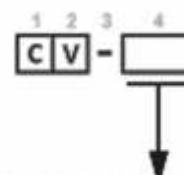
Symbol



Ratings

Opening pressure: 0.5bar
 Leakage: 0.25cc/minute at 250bar
 Oil viscosity: 10...70cSt at 40°C
 Recommended Filtration Level: 25micron
 Mounting Position: Unrestricted

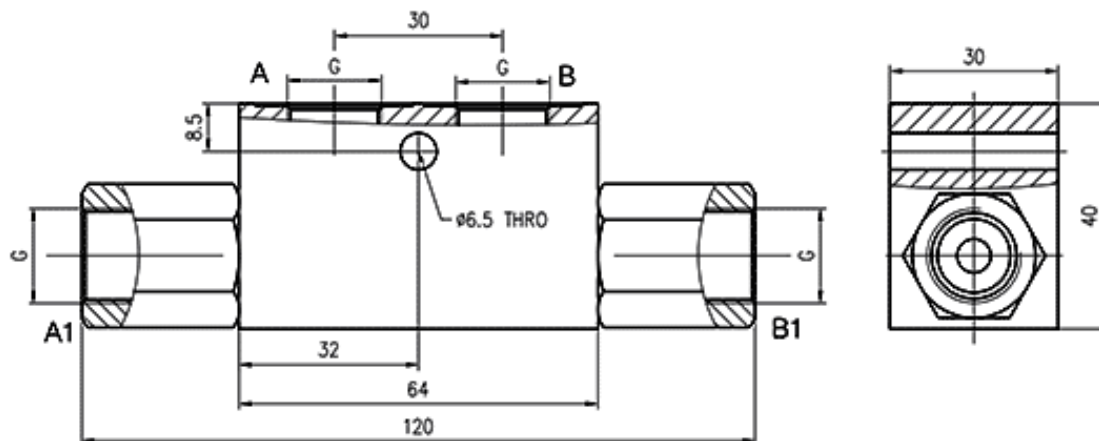
TO ORDER



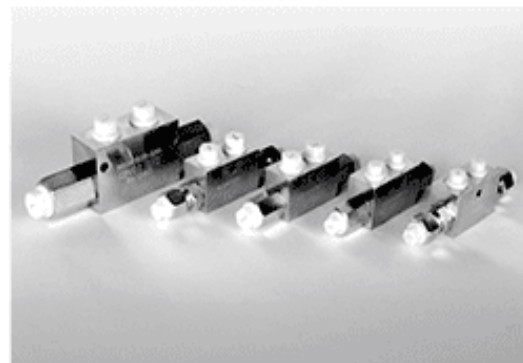
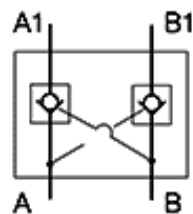
| G | Max. flow, l/min | Max. pressure, bar | L | S | |
|----------|------------------|--------------------|-----|----|-----|
| 1/4 BSPP | 20 | 320 | 60 | 19 | 1/4 |
| 3/8 BSPP | 25 | 320 | 60 | 24 | 3/8 |
| 1/2 BSPP | 45 | 320 | 75 | 27 | 1/2 |
| 3/4 BSPP | 85 | 300 | 90 | 36 | 3/4 |
| 1 BSPP | 140 | 250 | 105 | 41 | 1 |

Check Valves

CHECK VALVE PILOT TO OPEN CPVDI -



Symbol



Ratings

Rated Flow: 20L/min
Max. Pressure: 320bar
Pilot ratio: 5.2:1
Mounting Position: Unrestricted
Leakage: 0.25cc/minute at 250bar
Recommended Filtration Level: 25micron

TO ORDER

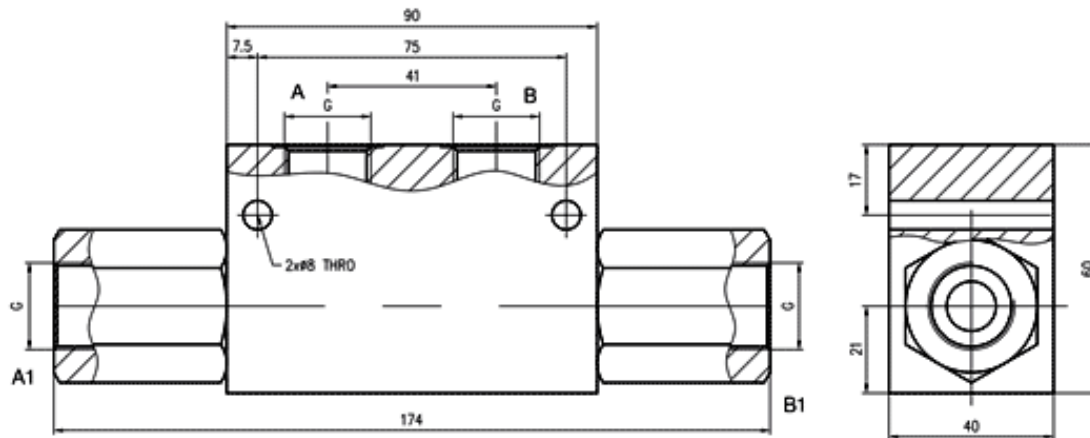
1 2 3 4 5 6 7
C P V D I -

Pressure

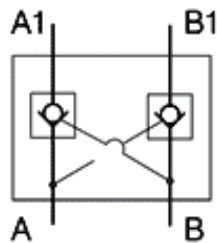
| | |
|-------------------|-----|
| All Ports G - 1/4 | 1/4 |
| All Ports G - 3/8 | 3/8 |

Check Valves pilot to open

CHECK VALVE PILOT TO OPEN CPVDI - 1/2

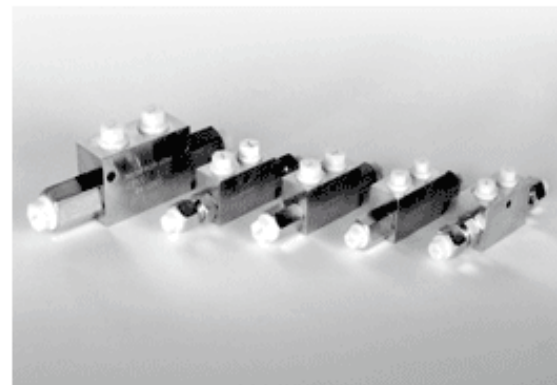


Symbol

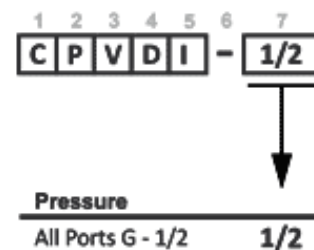


Ratings

- Rated Flow: 45L/min
- Max. Pressure: 300bar
- Pilot ratio: 4:1
- Mounting Position: Unrestricted
- Leakage: 0.25cc/minute at 250bar
- Recommended Filtration Level: 25micron

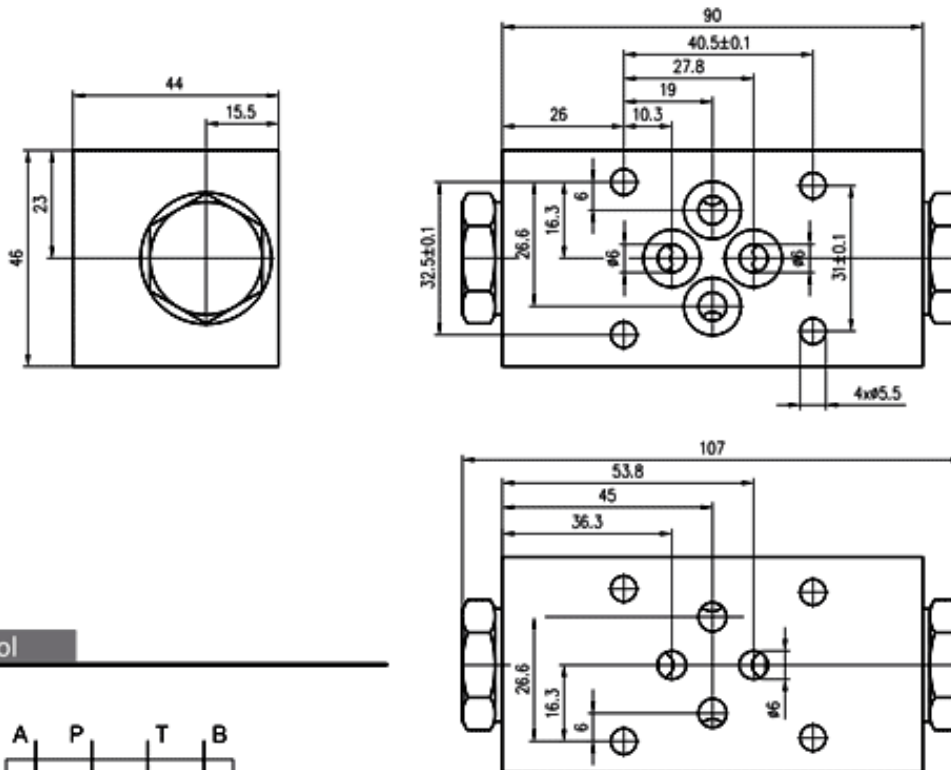


TO ORDER

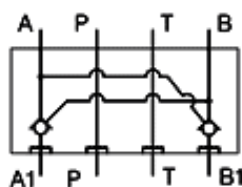


Check Valves pilot to open

CHECK VALVE PILOT TO OPEN CPVD - 80



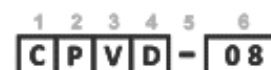
Symbol



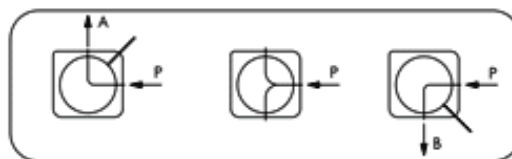
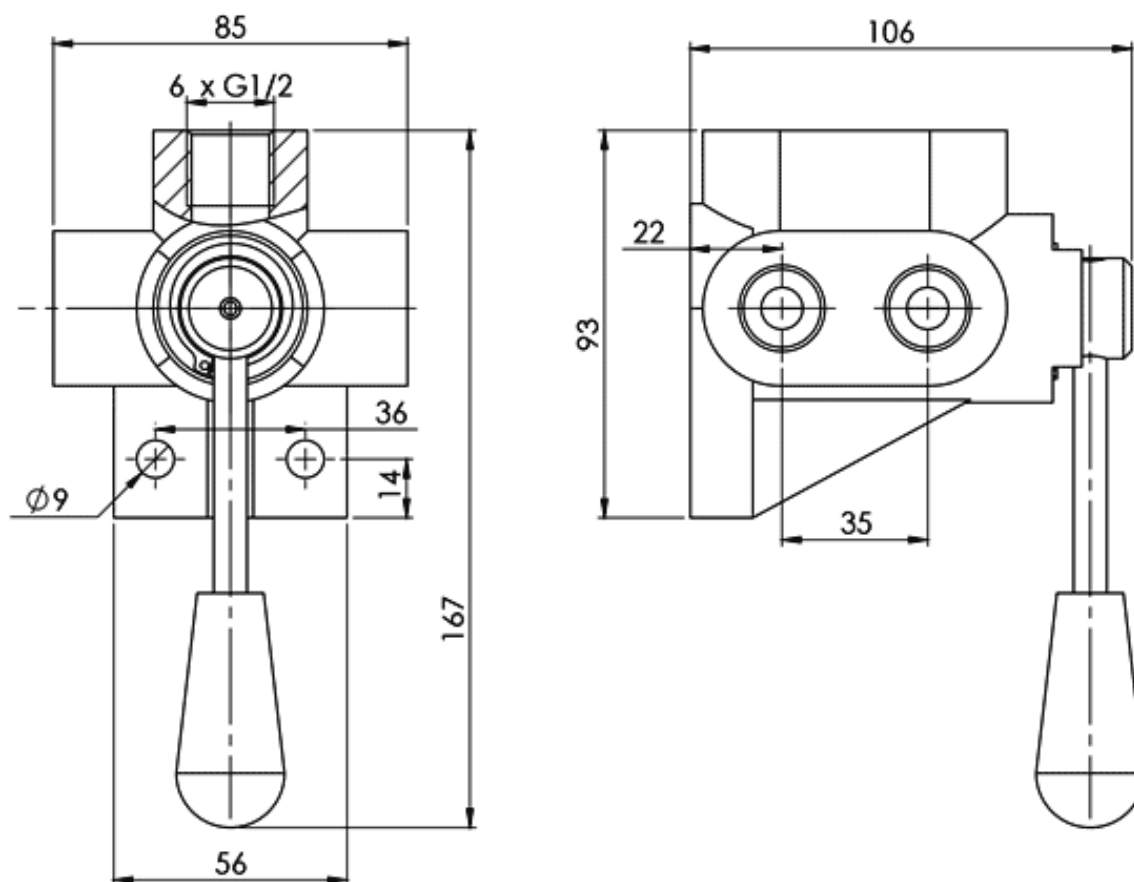
Ratings

- Rated Flow: 30L/min
- Max. Pressure: 240bar
- Pilot ratio: 4:1
- Mounting Position: Unrestricted
- Leakage: 0.25cc/minute at 240bar
- Recommended Filtration Level: 25micron

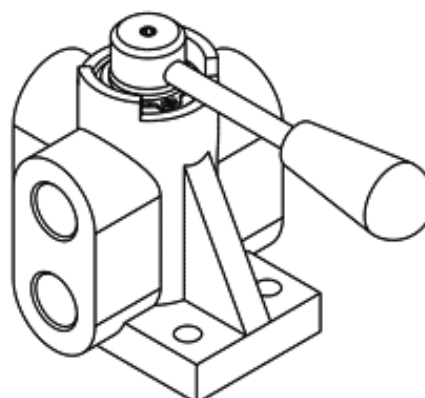
TO ORDER



ROTARY DEVERTER VALVES RDV 03

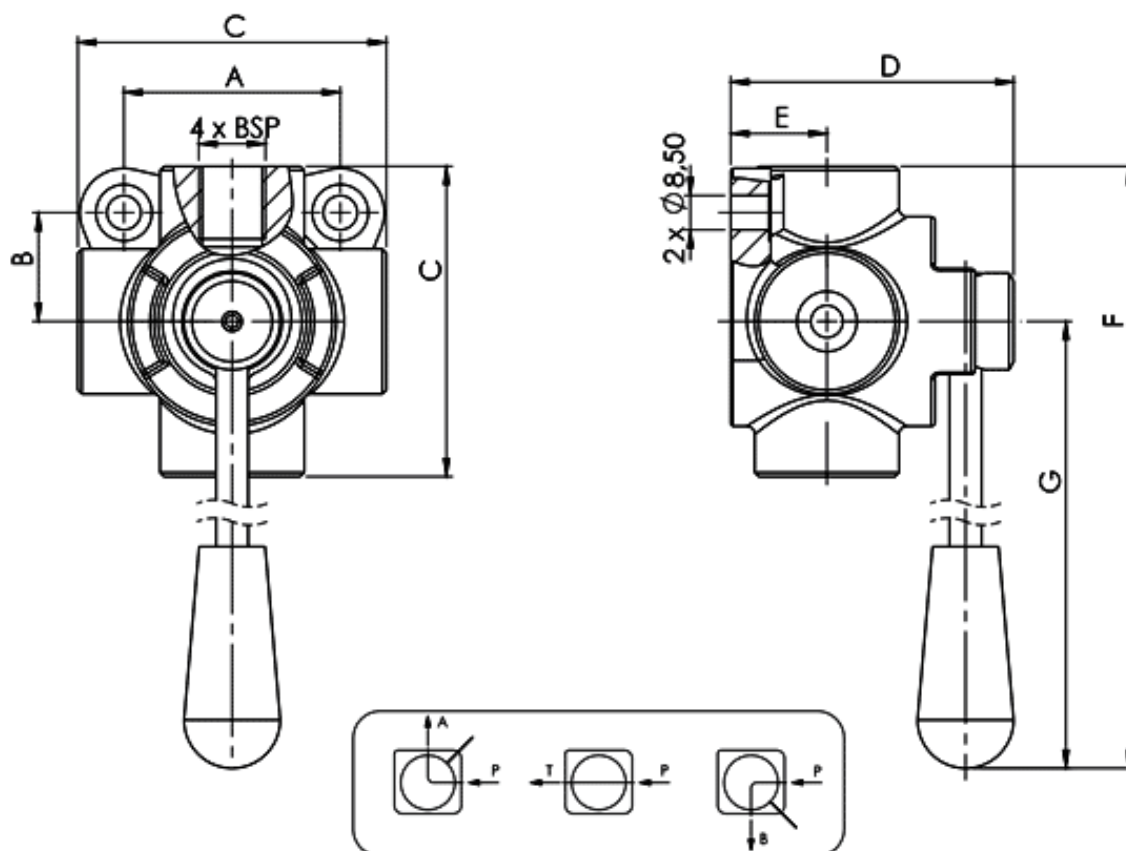


| | |
|---------------|-----------|
| Rated Flow | 180 l/min |
| Max. Pressure | 250 bar |



Check Valves

4 WAYS FLOW DIVERTERS



| TYPE | BSP | Max. flow l / min. | Max. pressure bar | A | B | C | D | E | F | G | Weight kg |
|--------|-------|-----------------------|----------------------|----|------|----|----|----|-----|-----|--------------|
| RDV 01 | G 3/8 | 60 | 300 | 54 | 27 | 77 | 70 | 24 | 170 | 132 | 1.30 |
| RDV 02 | G 1/2 | 90 | 300 | 65 | 32.5 | 90 | 81 | 28 | 175 | 130 | 1.90 |

