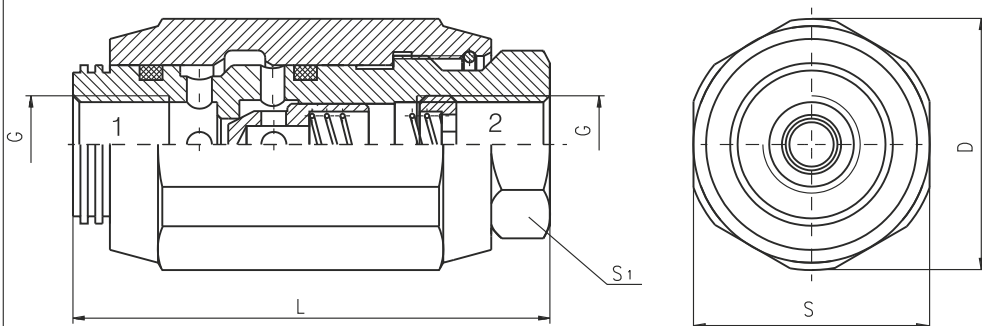


DESCRIPTION

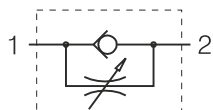
- ✓ Adjustable throttles with check valves for pipe mounting-DROK-...
- ✓ The throttle check valves limit flow by adjustable throttling spool at one direction , and allow free return passing on the other.

DIMENSIONS



TYPE	L	S	S1	D	G
	mm.				
DROK-1/4"	65	32	22	34	1/4"
DROK-3/8"	65	36	24	38	3/8"
DROK-1/2"	82	42	29	44	1/2"
DROK-3/4"	100	52	36	55	3/4"
DROK-1"	126	65	45	70	1"

SYMBOL



ORDERING CODE

DROK - ***

Adjustable throttle with check valve

Mounting threads:

- G1/4-1/4"
- G3/8-3/8"
- G1/2-1/2"
- G3/4-3/4"
- G1-1"

TECHNICAL DATA

Max. Pressure		320 bar
Rated flow ($\Delta p=2,5$ bar.)	-1/4	12 l/min
	-3/8	20 l/min
	-1/2	45 l/min
	-3/4	80 l/min
	-1	160 l/min
Working liquid-hydraulic oils with characteristics:		
-viscosity		10...400 cSt
-degree of filtration		0,025 mm
-temperature		-20... +80C



BULGARIA, 6100 Kazanlak,
31, Makariopolski str.,
Tel.: (+359 431) 622-22, 655-89
Fax: (+359 431) 622-23,
e-mail: shipka54@inbox.contact.bg