

PRODUCED BY



DISTRIBUTED BY


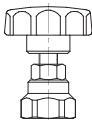


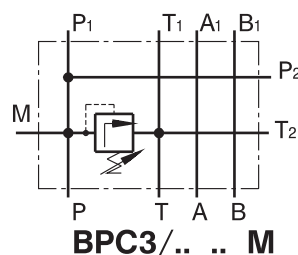
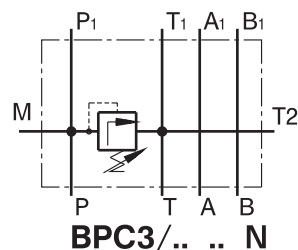
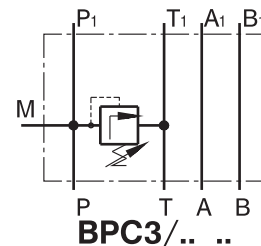
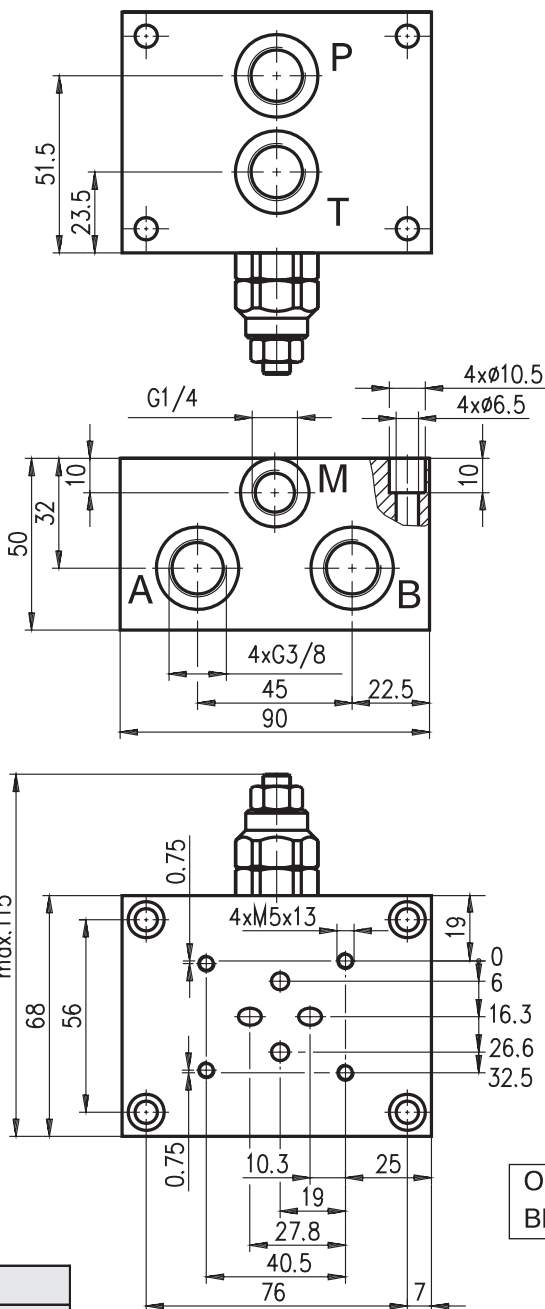
VALVE BLOCK

BPC3/



All performances and calibration are carried out by using hydraulic oil with viscosity approx. 46 cSt at 50 °C
 Temperature range: -20 °C...+80 °C.
 Filtration absolute: 25 µm

Code	Adjustments
A	Leakproof hex. socket screw 
B	Handknob and locknut 



Pressure range			
Code	Standard setting bar (Q=5l/min)	Adj. pressure range bar	Colour
10	80	10...100	White
25	180	30...250	Yellow
35	250	70...350	Black

Type	P _{max.}	Q _{max.}
	bar	L/min
BPC3/.. ..	350	20

ORDERING CODE

BPC3/ 25 A M

