

PRODUCED BY



**Hidro  
Pnevmo  
Tehnika**

DISTRIBUTED BY

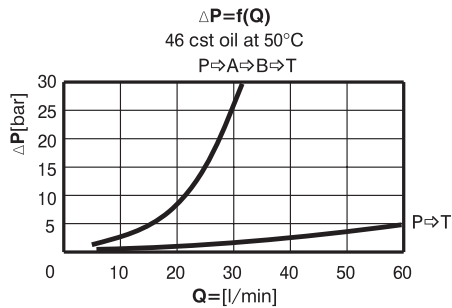


# HYDRAULIC MOTOR BLOCKS TYPE BD

**BDS .. ..**

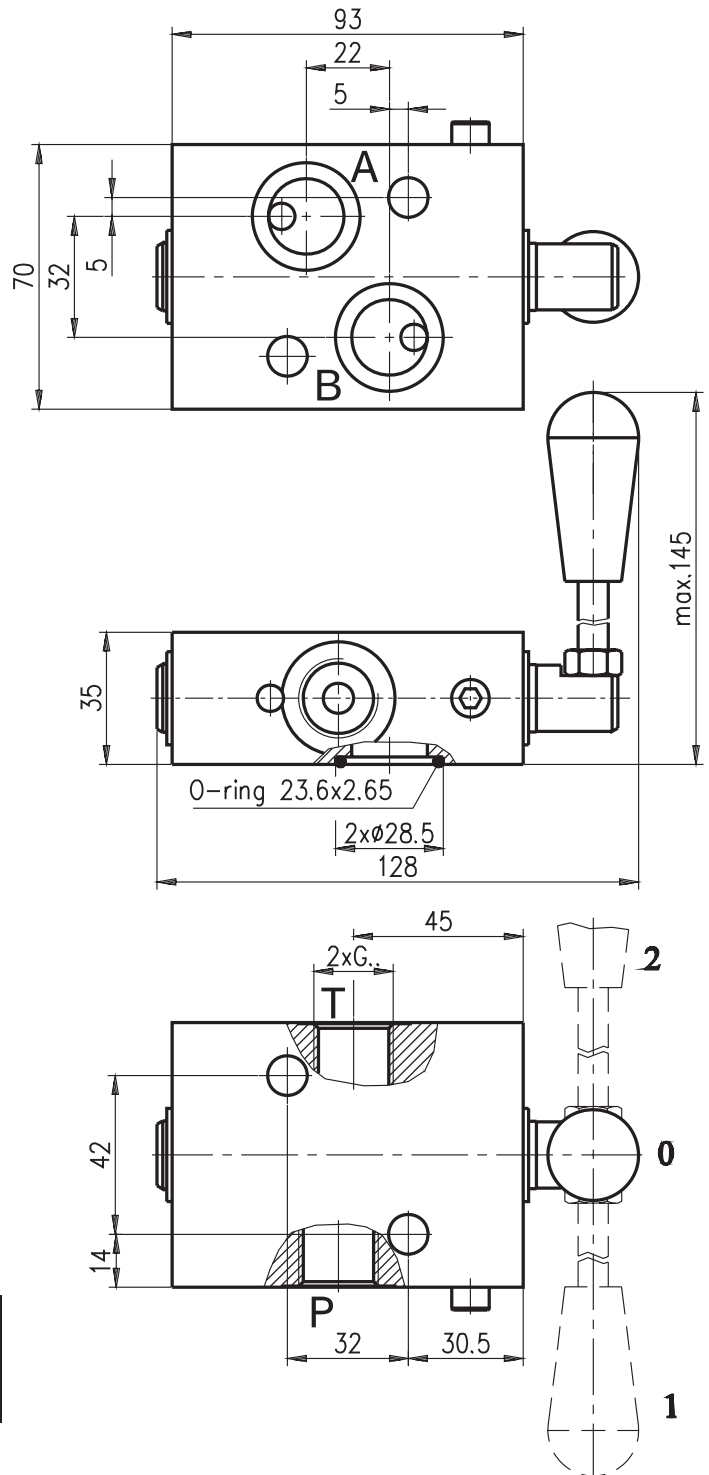


Code	Hydraulic scheme
<b>01</b>	
<b>02</b>	



PORT THREADS CODE	
Port threads G3/8"	<b>38</b>
Port threads G1/2"	<b>12</b>

TECHNICAL DATA		
Nominal pressure	bar	210
Nominal flow rate for type 38	L/min	25
Nominal flow rate for type 12	L/min	50



## ORDERING CODE

