

PRODUCED BY



# HYDRAULIC MOTOR BLOCKS TYPE BD

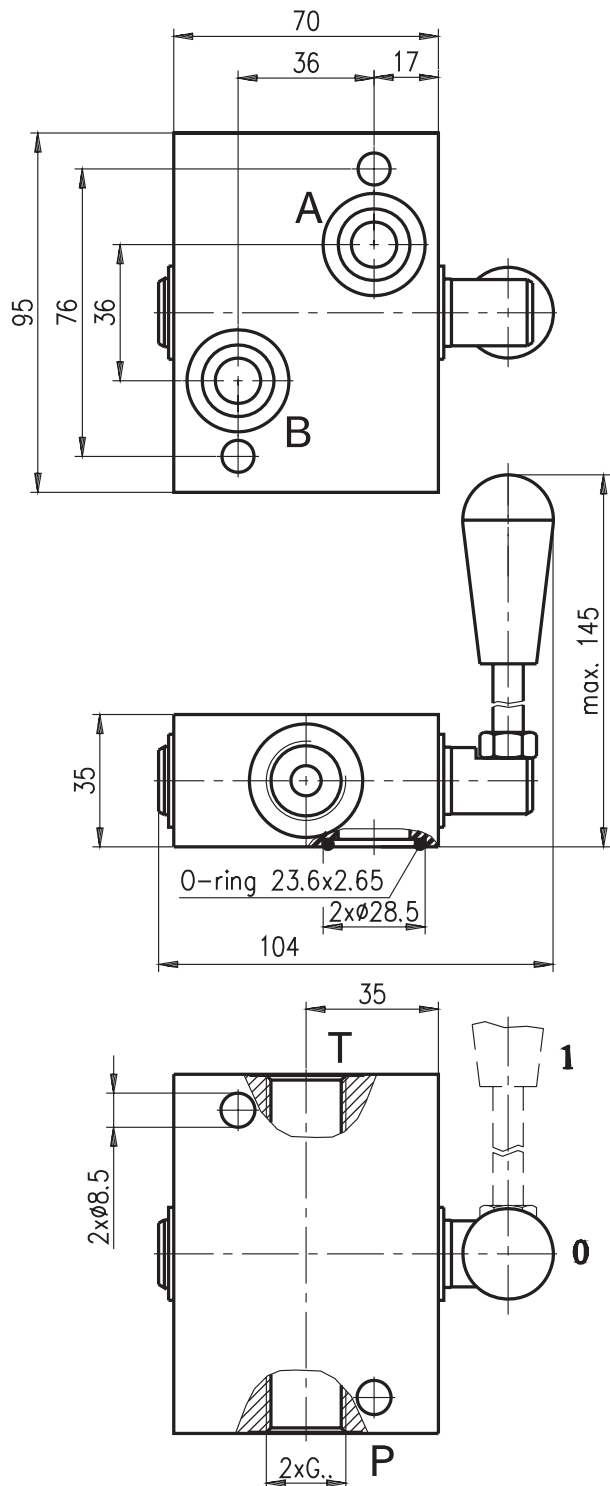
DISTRIBUTED BY



**BDR .. 03**



Code	Hydraulic scheme
<b>03</b>	



PORT THREADS CODE	
Port threads G3/8"	<b>38</b>
Port threads G1/2"	<b>12</b>

TECHNICAL DATA		
Nominal pressure	bar	210
Nominal flow rate for type 38	L/min	25
Nominal flow rate for type 12	L/min	50

## ORDERING CODE

**BD R 12 03**

